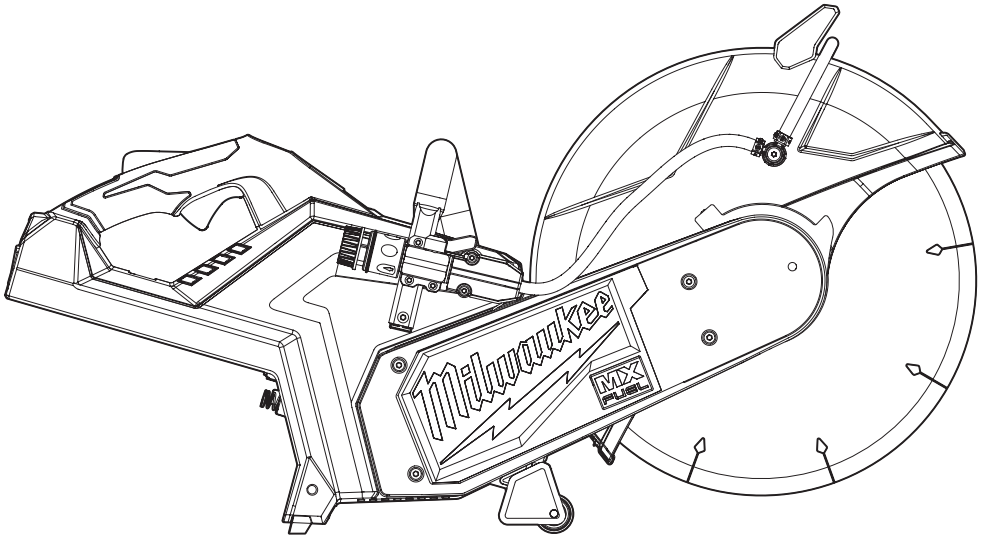




OPERATOR'S MANUAL
MANUEL de L'UTILISATEUR
MANUAL del OPERADOR



Cat. No. / No de cat.
MXF315

MX FUEL™ 14" CUT-OFF MACHINE
TRONÇONNEUSE DE 355 mm (14") MX FUEL™
HERRAMIENTA DE CORTE DE 355 mm (14") MX FUEL™



WARNING To reduce the risk of injury, user must read and understand operator's manual.

AVERTISSEMENT Afin de réduire le risque de blessures, l'utilisateur doit lire et bien comprendre le manuel.

ADVERTENCIA Para reducir el riesgo de lesiones, el usuario debe leer y entender el manual.

GENERAL POWER TOOL SAFETY WARNINGS

⚠WARNING Read all safety warnings, instructions, illustrations and specifications provided with this power tool. Failure to follow all instructions listed below may result in electric shock, fire and/or serious injury. **Save all warnings and instructions for future reference.** The term "power tool" in the warnings refers to your mains-operated (corded) power tool or battery-operated (cordless) power tool.

WORK AREA SAFETY

- **Keep work area clean and well lit.** Cluttered or dark areas invite accidents.
- **Do not operate power tools in explosive atmospheres, such as in the presence of flammable liquids, gases or dust.** Power tools create sparks which may ignite the dust or fumes.
- **Keep children and bystanders away while operating a power tool.** Distractions can cause you to lose control.

ELECTRICAL SAFETY

- **Power tool plugs must match the outlet. Never modify the plug in any way. Do not use any adapter plugs with earthed (grounded) power tools.** Unmodified plugs and matching outlets will reduce risk of electric shock.
- **Avoid body contact with earthed or grounded surfaces, such as pipes, radiators, ranges and refrigerators.** There is an increased risk of electric shock if your body is earthed or grounded.
- **Do not expose power tools to rain or wet conditions.** Water entering a power tool will increase the risk of electric shock.
- **Do not abuse the cord. Never use the cord for carrying, pulling or unplugging the power tool. Keep cord away from heat, oil, sharp edges or moving parts.** Damaged or entangled cords increase the risk of electric shock.
- **When operating a power tool outdoors, use an extension cord suitable for outdoor use.** Use of a cord suitable for outdoor use reduces the risk of electric shock.
- **If operating a power tool in a damp location is unavoidable, use a ground fault circuit interrupter (GFCI) protected supply.** Use of an GFCI reduces the risk of electric shock.

PERSONAL SAFETY

- **Stay alert, watch what you are doing and use common sense when operating a power tool. Do not use a power tool while you are tired or under the influence of drugs, alcohol or medication.** A moment of inattention while operating power tools may result in serious personal injury.
- **Use personal protective equipment. Always wear eye protection.** Protective equipment such as a dust mask, non-skid safety shoes, hard hat or hearing protection used for appropriate conditions will reduce personal injuries.
- **Prevent unintentional starting. Ensure the switch is in the off-position before connecting to power source and/or battery pack, picking up or carrying the tool.** Carrying power tools with your finger on the switch or energizing power tools that have the switch on invites accidents.

- **Remove any adjusting key or wrench before turning the power tool on.** A wrench or a key left attached to a rotating part of the power tool may result in personal injury.
- **Do not overreach. Keep proper footing and balance at all times.** This enables better control of the power tool in unexpected situations.
- **Dress properly. Do not wear loose clothing or jewelry. Keep your hair and clothing away from moving parts.** Loose clothes, jewelry or long hair can be caught in moving parts.
- **If devices are provided for the connection of dust extraction and collection facilities, ensure these are connected and properly used.** Use of dust collection can reduce dust-related hazards.
- **Do not let familiarity gained from frequent use of tools allow you to become complacent and ignore tool safety principles.** A careless action can cause severe injury within a fraction of a second.

POWER TOOL USE AND CARE

- **Do not force the power tool. Use the correct power tool for your application.** The correct power tool will do the job better and safer at the rate for which it was designed.
- **Do not use the power tool if the switch does not turn it on and off.** Any power tool that cannot be controlled with the switch is dangerous and must be repaired.
- **Disconnect the plug from the power source and/or remove the battery pack, if detachable, from the power tool before making any adjustments, changing accessories, or storing power tools.** Such preventive safety measures reduce the risk of starting the power tool accidentally.
- **Store idle power tools out of the reach of children and do not allow persons unfamiliar with the power tool or these instructions to operate the power tool.** Power tools are dangerous in the hands of untrained users.
- **Maintain power tools and accessories. Check for misalignment or binding of moving parts, breakage of parts and any other condition that may affect the power tool's operation. If damaged, have the power tool repaired before use.** Many accidents are caused by poorly maintained power tools.
- **Keep cutting tools sharp and clean.** Properly maintained cutting tools with sharp cutting edges are less likely to bind and are easier to control.
- **Use the power tool, accessories and tool bits etc. in accordance with these instructions, taking into account the working conditions and the work to be performed.** Use of the power tool for operations different from those intended could result in a hazardous situation.
- **Keep handles and grasping surfaces dry, clean and free from oil and grease.** Slippery handles and grasping surfaces do not allow for safe handling and control of the tool in unexpected situations.

BATTERY TOOL USE AND CARE

- **Recharge only with the charger specified by the manufacturer.** A charger that is suitable for one type of battery pack may create a risk of fire when used with another battery pack.
- **Use power tools only with specifically designated battery packs.** Use of any other battery packs may create a risk of injury and fire.
- **When battery pack is not in use, keep it away from other metal objects, like paper clips, coins, keys, nails, screws or other small metal objects, that can make a connection from one terminal to another.** Shorting the battery terminals together may cause burns or a fire.
- **Under abusive conditions, liquid may be ejected from the battery; avoid contact.** If contact accidentally occurs, flush with water. If liquid contacts eyes, additionally seek medical help. Liquid ejected from the battery may cause irritation or burns.
- **Do not use a battery pack or tool that is damaged or modified.** Damaged or modified batteries may exhibit unpredictable behavior resulting in fire, explosion or risk of injury.
- **Do not expose a battery pack or tool to fire or excessive temperature.** Exposure to fire or temperature above 265°F (130°C) may cause explosion.
- **Follow all charging instructions and do not charge the battery pack or tool outside the temperature range specified in the instructions.** Charging improperly or at temperatures outside the specified range may damage the battery and increase the risk of fire.

SERVICE

- **Have your power tool serviced by a qualified repair person using only identical replacement parts.** This will ensure that the safety of the power tool is maintained.
- **Never service damaged battery packs.** Service of battery packs should only be performed by the manufacturer or authorized service providers.

SPECIFIC SAFETY RULES FOR CUT-OFF MACHINES

- **The guard provided with the tool must be securely attached to the power tool and positioned for maximum safety, so the least amount of wheel is exposed towards the operator. Position yourself and bystanders away from the plane of the rotating wheel.** The guard helps to protect operator from broken wheel fragments and accidental contact with wheel.
- **Use only bonded reinforced or diamond cut-off wheels for your power tool.** Just because an accessory can be attached to your power tool, it does not assure safe operation.
- **The rated speed of the accessory must be at least equal to the maximum speed marked on the power tool.** Accessories running faster than their rated speed can break and fly apart.
- **Wheels must be used only for recommended applications. For example: do not grind with the side of cut-off wheel.** Abrasive cut-off wheels are intended for peripheral grinding, side forces applied to these wheels may cause them to shatter.
- **Always use undamaged wheel flanges that are of correct diameter for your selected wheel.** Proper wheel flanges support the wheel thus reducing the possibility of wheel breakage.
- **Do not use worn down reinforced wheels from larger power tools.** Wheels intended for a larger power tool are not suitable for the higher speed of a smaller tool and may burst.
- **The outside diameter and the thickness of your accessory must be within the capacity rating of your power tool.** Incorrectly sized accessories cannot be adequately guarded or controlled.
- **The arbour size of wheels and flanges must properly fit the spindle of the power tool.** Wheels and flanges with arbour holes that do not match the mounting hardware of the power tool will run out of balance, vibrate excessively and may cause loss of control.
- **Do not use damaged wheels. Before each use, inspect the wheels for chips and cracks. If power tool or wheel is dropped, inspect for damage or install an undamaged wheel. After inspecting and installing the wheel, position yourself and bystanders away from the plane of the rotating wheel and run the power tool at maximum no load speed for one minute.** Damaged wheels will normally break apart during this test time.
- **Wear personal protective equipment. Depending on application, use face shield, safety goggles or safety glasses. As appropriate, wear dust mask, hearing protectors, gloves and shop apron capable of stopping small abrasive or workpiece fragments.** The eye protection must be capable of stopping flying debris generated by various operations. The dust mask or respirator must be capable of filtering particles generated by your operation. Prolonged exposure to high intensity noise may cause hearing loss.
- **Keep bystanders a safe distance away from work area. Anyone entering the work area must wear personal protective equipment.** Fragments of workpiece or of a broken wheel may fly away and cause injury beyond immediate area of operation.
- **Hold the power tool by insulated gripping surfaces only, when performing an operation where the cutting accessory may contact hidden wiring.** Cutting accessory contacting a "live" wire may make exposed metal parts of the power tool "live" and could give the operator an electric shock.
- **Never lay the power tool down until the accessory has come to a complete stop.** The spinning wheel may grab the surface and pull the power tool out of your control.
- **Do not run the power tool while carrying it at your side.** Accidental contact with the spinning accessory could snag your clothing, pulling the accessory into your body.
- **Regularly clean the power tool's air vents.** The motor's fan will draw the dust inside the housing and excessive accumulation of powdered metal may cause electrical hazards.
- **Do not operate the power tool near flammable materials.** Sparks could ignite these materials.

Kickback causes and related warnings

Kickback is a sudden reaction to a pinched or snagged rotating wheel. Pinching or snagging causes rapid stalling of the rotating wheel which in turn causes the uncontrolled power tool to be forced in the direction opposite of the wheel's rotation at the point of the binding.

For example, if an abrasive wheel is snagged or pinched by the workpiece, the edge of the wheel that is entered into the pinch point can dig into the surface of the material causing the wheel to climb out or kick out. The wheel may either jump toward or away from the operator, depending on the direction of the wheel's movement at the point of pinching. Abrasive wheels may also break under these conditions. Kickback is the result of saw misuse and/or incorrect operating procedures or conditions and can be avoided by taking proper precautions as given below:

- **Maintain a firm grip on the power tool and position your body and arm to allow you to resist kickback forces. Always use auxiliary handle, if provided, for maximum control over kickback or torque reaction during start-up.** The operator can control torque reactions or kickback forces, if proper precautions are taken.
- **Never place your hand near the rotating accessory.** Accessory may kickback over your hand.
- **Do not position your body in line with the rotating wheel.** Kickback will propel the tool in direction opposite to the wheel's movement at the point of snagging.
- **Use special care when working corners, sharp edges etc. Avoid bouncing and snagging the accessory.** Corners, sharp edges or bouncing have a tendency to snag the rotating accessory and cause loss of control or kickback.
- **Do not attach a saw chain, woodcarving blade, segmented diamond wheel with a peripheral gap greater than 10 mm or toothed saw blade.** Such blades create frequent kickback and loss of control.
- **Do not "jam" the wheel or apply excessive pressure. Do not attempt to make an excessive depth of cut.** Overstressing the wheel increases the loading and susceptibility to twisting or binding of the wheel in the cut and the possibility of kickback or wheel breakage.
- **When wheel is binding or when interrupting a cut for any reason, switch off the power tool and hold the power tool motionless until the wheel comes to a complete stop. Never attempt to remove the wheel from the cut while the wheel is in motion otherwise kickback may occur.** Investigate and take corrective action to eliminate the cause of wheel binding.

- **Do not restart the cutting operation in the workpiece. Let the wheel reach full speed and carefully re-enter the cut.** The wheel may bind, walk up or kickback if the power tool is restarted in the workpiece.
- **Support panels or any oversized workpiece to minimize the risk of wheel pinching and kickback.** Large workpieces tend to sag under their own weight. Supports must be placed under the workpiece near the line of cut and near the edge of the workpiece on both sides of the wheel.
- **Use extra caution when making a "pocket cut" into existing walls or other blind areas.** The protruding wheel may cut gas or water pipes, electrical wiring or objects that can cause kickback.
- **Inspect guards and other parts before each use or after wheel breakage. Do not use a damaged tool.** Tag damaged tools "DO NOT USE" until repaired. A guard or other damaged part should be properly repaired or replaced by a MILWAUKEE service facility.
- **Do not use without belt guard.**
- **Use only a single wheel.** Multiple wheels can wear unevenly, resulting in kickback and could break and fly apart causing personal injury.
- **Chemical Burn Hazard. Keep coin cell battery away from children.**

▲WARNING To reduce the risk of injury in applications that produce a considerable amount of dust, use an OSHA compliant dust extraction solution in accordance with the solution's operating instructions.

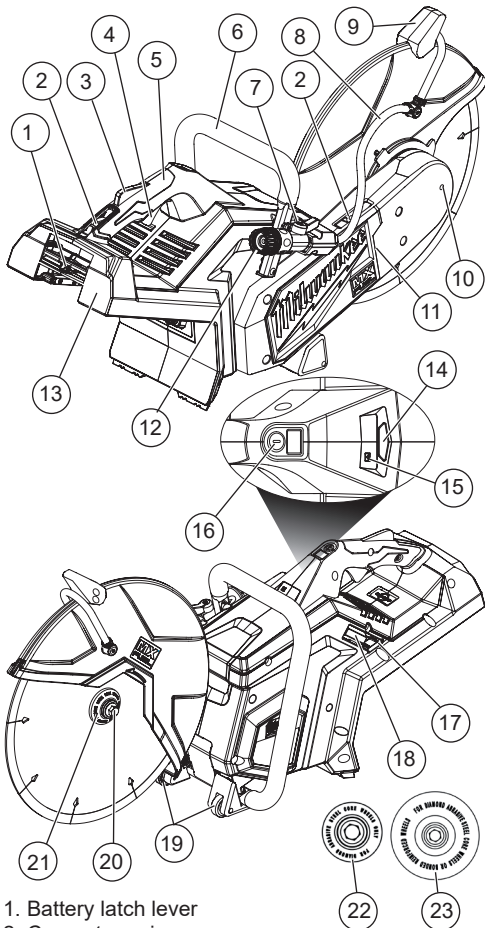
- **Always use common sense and be cautious when using tools.** It is not possible to anticipate every situation that could result in a dangerous outcome. Do not use this tool if you do not understand these operating instructions or you feel the work is beyond your capability; contact Milwaukee Tool or a trained professional for additional information or training.
- **Maintain labels and nameplates.** These carry important information. If unreadable or missing, contact a MILWAUKEE service facility for a free replacement.

▲WARNING Some dust created by power sanding, sawing, grinding, drilling, and other construction activities contains chemicals known to cause cancer, birth defects or other reproductive harm. Some examples of these chemicals are:

- lead from lead-based paint
- crystalline silica from bricks and cement and other masonry products, and
- arsenic and chromium from chemically-treated lumber.

Your risk from these exposures varies, depending on how often you do this type of work. To reduce your exposure to these chemicals: work in a well ventilated area, and work with approved safety equipment, such as those dust masks that are specially designed to filter out microscopic particles.

FUNCTIONAL DESCRIPTION



1. Battery latch lever
2. Carry strap pin
3. Lock-off lever
4. Trigger
5. Handle
6. Front handle
7. Water supply valve
8. Water supply tube
9. Wheel guard handle
10. Spindle lock access hole
11. Belt guard
12. Quick connect fitting
13. Cart connector port*

14. Eco-Coach LED
15. ONE-KEY™ indicator
16. Arm button
17. Hex wrench
18. Scrench
19. Roller wheels
20. Spindle bolt
21. Wheel flange
22. 2" outer flange
23. 4" outer flange


*The connection port allows the machine to be operated with the 3105 MILWAUKEE Cut-Off Saw Cart. Always close the cart connector port when not in use to maintain dust and moisture protection. See the cart instructions for complete information.

SPECIFICATIONS

Cat. No. MXF315
 Battery Type MX FUEL™
 Charger Type MX FUEL™
 RPM 5370
 Wheel Type Abrasive or Diamond
 Minimum Wheel Rating 5370 RPM
 Maximum Wheel Size 14"
 Maximum Wheel Thickness 1/8"
 Wheel Arbor Hole Size* 20 mm or 1"
 Max Cutting Depth 5"
 Water Supply Inlet 60 psi (max)
 Module/FCC ID BGM11S/QOQ11
 Recommended Ambient
 Operating Temperature 0°F to 125°F

*The machine is supplied with an arbor adapter (20 mm or 1"). To ensure the wheel is properly secured, always use the arbor adapter size that matches the wheel arbor hole size.

SYMBOLLOGY

 Volts

 Direct Current

n XXXX min⁻¹ Revolutions per Minute (RPM)



⚠ WARNING Risk of Electric Shock



Keep body parts away from moving parts.



Match the arrow direction on the wheel with the arrow direction on the machine.

 **RAPIDSTOP** Tool has RAPIDSTOP™ technology.



Read operator's manual



Always wear eye protection. Use appropriate hearing and respiratory protection.



UL Listing for Canada and U.S.

ASSEMBLY

⚠WARNING Recharge only with the charger specified for the battery. For specific charging instructions, read the operator's manual supplied with your charger and battery.

Removing/Inserting the Battery

To **remove** the battery, push the battery latch lock to the side and squeeze the battery latch lever. Pull the battery pack away from the machine.

⚠WARNING Always remove the battery pack any time the tool is not in use.

To **insert** the battery, slide the pack into the body of the machine. Make sure it latches securely into place.

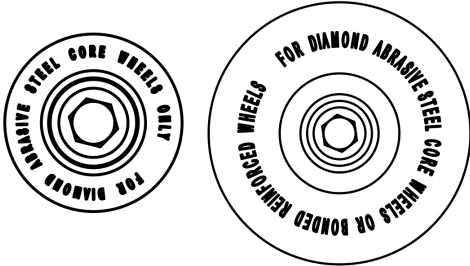
⚠WARNING Only use accessories specifically recommended for this machine. Others may be hazardous.

Selecting Wheel and Outer Flange

⚠WARNING To reduce the risk of injury, use a cut-off wheel which is rated with a maximum safe operating speed at least 5370 RPM. READ SAFETY INFORMATION SUPPLIED WITH CUT-OFF WHEEL. Always wear proper safety equipment, including a dust mask.

Use only the proper wheel made for this tool. **DO NOT USE ANY TYPE OF SAW BLADE. USE ONLY TYPE "1" ABRASIVE and DIAMOND WHEELS.**

Match the appropriate outer flange for the wheel type to reduce the risk of personal injury.



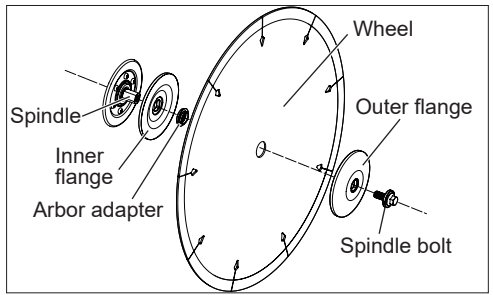
The small flange (2") can **ONLY** be used with Diamond Wheels.

The large flange (4") can be used with both Abrasive Wheels and Diamond Wheels.

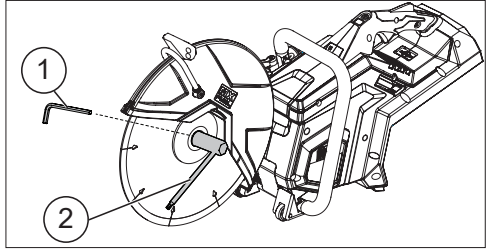
Installing and Removing Cut-Off Wheels

⚠WARNING Wheels are sharp. Wear work gloves when handling wheels.

- 1. WARNING!** Remove battery to avoid starting the machine.
- Place machine on a firm surface.
- Move wheel guard for easier access to spindle bolt.
- Slide the inner flange, arbor adapter, cut-off wheel, and outer flange over the spindle. Be sure the arbor adapter matches the wheel arbor hole size (20 mm or 1").



- While holding the spindle lock in place with the hex wrench (1), install and tighten the spindle bolt securely with the screwdriver (2).

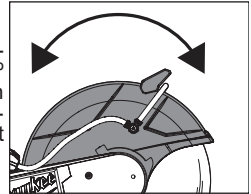


- To **remove** cut-off wheels, hold the spindle lock in place and loosen the spindle bolt with the screwdriver. Remove the spindle bolt, outer flange, arbor adapter, and cut-off wheel.

Adjusting the Wheel Guard

⚠WARNING To reduce the risk of injury when cutting, **ALWAYS** adjust the wheel guard to provide the best control and protection. Wear gloves to protect hands when adjusting the guard.

- 1. WARNING!** Remove battery to avoid starting the machine.
- Grasp the wheel guard handle and rotate forward or backward (45° range). Always position the guard in the location which offers best control and protection.



ONE-KEY™

To learn more about the ONE-KEY™ functionality for this tool, go to milwaukee.com/One-Key. To download the ONE-KEY™ app, visit the App Store® or Google Play™ from your smart device.

ONE-KEY™ Indicator	
Solid Blue	Wireless mode is active and ready to be configured via the ONE-KEY™ app.
Blinking Blue	Tool is actively communicating with the ONE-KEY™ app.
Blinking Red	Tool is in security lockout and can be unlocked by the owner via the ONE-KEY™ app.

OPERATION

WARNING To reduce the risk of injury, always wear proper eye protection marked to comply with ANSI Z87.1.

When working in dusty situations, wear appropriate respiratory protection or use an OSHA compliant dust extraction solution.

Water Connection

A water connection is available on the machine for use with all types of water supply. Wet cut whenever possible; water cools the wheel (increasing its service life) and reduces the formation of dust. Follow all instructions and warnings provided by the wheel manufacturer for wet cutting. Due to the electronic water valve, water will only flow when the valve is in the on position and the trigger is pulled.

Arming the Machine

The MX FUEL™ machines must be armed prior to use. Even with the battery pack inserted, the trigger and machine functions will not operate until the machine is armed.

To arm the machine:

1. Insert the battery pack.
2. Press the arm button. The MX FUEL™ icon will light. The trigger will become armed in 2 seconds.
3. After 10 minutes of inactivity, the machine will enter sleep mode. The MX FUEL™ icon will go off and the trigger and LEDs are un-operational.
4. Press and hold the arm button for 1 second to reactivate the machine.
5. Press and hold the arm, button for 1 second to unarm (turn off) the machine. The MX FUEL™ icon will go off.

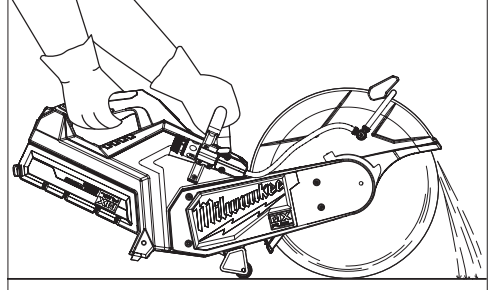
ECO-Coach LED

Always monitor the ECO-Coach LED during operation for optimal performance.

LED	Cause	Correction
Off	Tool is disarmed	Arm tool
	Not in application; no load detected	Normal operation
	Tool is running below optimal load	Apply more pressure to tool in application to increase load.
On, solid green	Tool is running at optimal load	Normal operation
On, solid red	Tool is running above optimal load; risk to overheat electronics. Tool will shut itself off after 5 seconds in this state.	Immediately back off pressure on wheel
On, flashes 10 times, then turns off	Overtemperature indicator, tool will not start until cooled down	Let tool cool down
On, flashing when idle	Overtemperature indicator, tool will not start until cooled down	Let tool cool down
	Low battery	Replace battery

Making a Cut

1. Insert the battery pack.
2. Arm the machine.
3. Squeeze the lock-off lever and pull the trigger. Allow the machine to reach full speed and then slowly lower the wheel into the workpiece. **NOTE:** Always start the cut gently pushing the wheel through the workpiece. Do not bang or bump a wheel when starting or during a cut. Always push the machine away from you.
4. While cutting, maintain a firm grip. Do not force the cut-off machine through the work. Forcing a cut-off machine can cause kickback.



5. Always monitor the ECO-Coach LED while cutting.
6. When the cut is finished, always allow the wheel to come to a complete stop. Never remove the cut-off machine from a cut while the wheel is moving.
7. If making a partial cut, restarting a cut or correcting cut direction, allow the wheel to come to a complete stop. To resume cutting, center the wheel in the kerf (cutting slot), back the wheel away from cutting edge a few inches, pull the trigger and re-enter the cut slowly. **NOTE:** If the cut-off machine stalls, maintain a firm grip and release the trigger immediately. Correct the problem before continuing.

MAINTENANCE

WARNING To reduce the risk of injury, always unplug the charger and remove the battery pack from the charger or machine before performing any maintenance. Never disassemble the battery pack, charger, or machine, except as provided in these instructions. Contact a MILWAUKEE service facility for all other repairs.

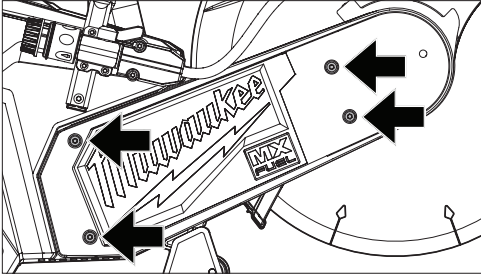
Maintaining Machine

Keep your machine, battery pack and charger in good repair by adopting a regular maintenance program. Inspect your machine for issues such as undue noise, misalignment or binding of moving parts, breakage of parts, or any other condition that may affect the machine operation. Return the machine, battery pack, and charger to a MILWAUKEE service facility for repair. After six months to one year, depending on use, return the machine, battery pack and charger to a MILWAUKEE service facility for inspection. If the machine does not start or operate at full power with a fully charged battery pack, clean the contacts on the battery pack. If the machine still does not work properly, return the machine, charger and battery pack, to a MILWAUKEE service facility for repairs.

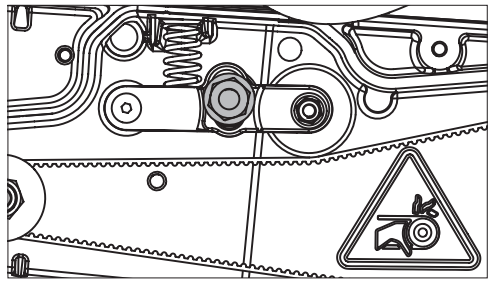
Retensioning the Belt

The belt should be retensioned every 3 months or whenever there is a reduction in performance.

1. **WARNING!** Remove battery to avoid starting the machine.
2. To retension the belt, use a T25 bit to loosen the four screws holding the belt guard.



3. Remove the belt guard.
4. Inspect the belt and replace if there are signs of wear or deterioration.
5. Loosen the tensioner nut using a 13 mm socket wrench.



6. When loosened, the tensioner spring will expand to position the tensioner against the belt. Do not manually adjust the tensioner, it will auto adjust when loosened.
7. Hand tighten the tensioner nut to lock the tensioner in place.
8. Check belt tension to ensure shifting did not occur during tightening.
9. Install belt guard.

ONE-KEY™

WARNING Chemical Burn Hazard. This device contains a lithium button/coin cell battery. A new or used battery can cause severe internal burns and lead to death in as little as 2 hours if swallowed or enters the body. Always secure the battery cover. If it does not close securely, stop using the device, remove the batteries, and keep it away from children. If you think batteries may have been swallowed or entered the body, seek immediate medical attention.



Internal Coin Cell Battery

An internal coin cell battery is used to facilitate full ONE-KEY™ functionality.

To replace the coin cell battery:

1. **WARNING!** Remove tool's battery to avoid starting the tool.
2. Remove the screw(s) and open the coin cell battery door.
3. Remove the old coin cell battery, keep it away from children, and dispose of it properly.
4. Insert the new coin cell battery (3V CR2032), with the positive side facing up.
5. Close the battery door and tighten the screw(s) securely.

▲WARNING To reduce the risk of personal injury and damage, never immerse your machine, battery pack or charger in liquid or allow a liquid to flow inside them.

Cleaning

Clean dust and debris from any vents. Keep machine clean, dry and free of oil or grease. Use only mild soap and a damp cloth to clean, since certain cleaning agents and solvents are harmful to plastics and other insulated parts. Some of these include gasoline, turpentine, lacquer thinner, paint thinner, chlorinated cleaning solvents, ammonia and household detergents containing ammonia. Never use flammable or combustible solvents around machines.

Cleaning the Battery and Battery Bay

Keep battery connections and surfaces between the machine and battery free of debris and materials. Failure to keep surfaces clean may result in misalignment and/or damage to the battery connection.

Repairs

For repairs, return the machine to the nearest authorized service center.

ACCESSORIES

▲WARNING Use only recommended accessories. Others may be hazardous.

For a complete listing of accessories, go online to www.milwaukeeetool.com or contact a distributor.

WIRELESS COMMUNICATION

For products provided with wireless communication features, including ONE-KEY™:

Pursuant to part 15.21 of the FCC Rules, do not modify this product. Modification could void your authority to operate the product. This device complies with part 15 of the FCC Rules and ISSED-Canada's license exempt RSS standards. Operation is subject to the following two conditions: 1) This device may not cause harmful interference, and 2) This device must accept any interference received, including interference that may cause undesired operation.

SERVICE - UNITED STATES

1-800-SAWDUST (1.800.729.3878)

Monday-Friday, 7:00 AM - 6:30 PM CST
or visit www.milwaukeeetool.com

Contact Corporate After Sales Service Technical Support with technical, service/repair, or warranty questions.

Email: metproductsupport@milwaukeeetool.com

Become a Heavy Duty Club Member at www.milwaukeeetool.com to receive important notifications regarding your purchases.

SERVICE - CANADA

Milwaukee Tool (Canada) Ltd

1.877.948.2360

Monday-Friday, 7:00 AM - 4:30 PM CST
or visit www.milwaukeeetool.ca

LIMITED WARRANTY USA & CANADA

Every MILWAUKEE MX FUEL™ Product, battery pack, and charger is warranted to the original purchaser from an authorized MILWAUKEE distributor only to be free from defects in material and workmanship. Subject to certain exceptions, MILWAUKEE will repair or replace a MX FUEL™ product, battery pack, or charger which, after examination, is determined by MILWAUKEE to be defective in material or workmanship for a period of two (2) years after the date of purchase. Return of the MX FUEL™ product, battery pack, or charger to a MILWAUKEE factory Service Center location or MILWAUKEE Authorized Service Station, freight prepaid and insured, is required. For the proper shipping procedure of battery packs, contact 1.800.SAWDUST (1.800.729.3878), or go to www.milwaukeeetool.com. A copy of the proof of purchase should be included with the return product. This warranty does not apply to damage that MILWAUKEE determines to be from repairs made or attempted by anyone other than MILWAUKEE authorized personnel, misuse, alterations, abuse, normal wear and tear, lack of maintenance, or accidents.

Normal Wear: Many MX FUEL™ products need periodic parts replacement and service to achieve best performance. This warranty does not cover repair when normal use has exhausted the life of a part including, but not limited to, assist & drive belts, pulleys, blade flanges, vacuum gaskets, tool free handles, set pins, skis, drive couplers, rubber boots, auto feed, stabilize blocks, wheels, carrier wheels, cords, o-rings, seals, bumpers, driver blades, pistons, strikers, lifters, tool holder, and bumper cover washers.

Warranty Registration is not necessary to obtain the applicable warranty on a MX FUEL™ product, battery pack, or charger.

ACCEPTANCE OF THE EXCLUSIVE REPAIR AND REPLACEMENT REMEDIES DESCRIBED HEREIN IS A CONDITION OF THE CONTRACT FOR THE PURCHASE OF EVERY MILWAUKEE PRODUCT. IF YOU DO NOT AGREE TO THIS CONDITION, YOU SHOULD NOT PURCHASE THE PRODUCT. IN NO EVENT SHALL MILWAUKEE BE LIABLE FOR ANY INCIDENTAL, SPECIAL, CONSEQUENTIAL, OR PUNITIVE DAMAGES, OR FOR ANY COSTS, ATTORNEY FEES, EXPENSES, LOSSES OR DELAYS ALLEGED TO BE AS A CONSEQUENCE OF ANY DAMAGE TO, FAILURE OF, OR DEFECT IN ANY PRODUCT INCLUDING, BUT NOT LIMITED TO, ANY CLAIMS FOR LOSS OF PROFITS. SOME STATES DO NOT ALLOW THE EXCLUSION OR LIMITATION OF INCIDENTAL OR CONSEQUENTIAL DAMAGES, SO THE ABOVE LIMITATION OR EXCLUSION MAY NOT APPLY TO YOU. THIS WARRANTY IS EXCLUSIVE AND IN LIEU OF ALL OTHER EXPRESS WARRANTIES, WRITTEN OR ORAL, TO THE EXTENT PERMITTED BY LAW, MILWAUKEE DISCLAIMS ANY IMPLIED WARRANTIES, INCLUDING WITHOUT LIMITATION ANY IMPLIED WARRANTY OF MERCHANTABILITY OR FITNESS FOR A PARTICULAR USE OR PURPOSE; TO THE EXTENT SUCH DISCLAIMER IS NOT PERMITTED BY LAW, SUCH IMPLIED WARRANTIES ARE LIMITED TO THE DURATION OF THE APPLICABLE EXPRESS WARRANTY AS DESCRIBED ABOVE. SOME STATES DO NOT ALLOW LIMITATIONS ON HOW LONG AN IMPLIED WARRANTY LASTS, SO THE ABOVE LIMITATION MAY NOT APPLY TO YOU, THIS WARRANTY GIVES YOU SPECIFIC LEGAL RIGHTS, AND YOU MAY ALSO HAVE OTHER RIGHTS WHICH VARY FROM STATE TO STATE.

This warranty applies to product sold in the U.S.A. and Canada only. Please consult the 'Service Center Search' in the Parts & Service section of MILWAUKEE's website www.milwaukeeetool.com or call 1.800.SAWDUST (1.800.729.3878) to locate your nearest service facility for warranty and non-warranty service on a MX FUEL™ product, battery pack or charger.

RÈGLES DE SÉCURITÉ GÉNÉRALES RELATIVES AUX OUTILS ÉLECTRIQUES

⚠ AVERTISSEMENT Lire toutes les consignes de sécurité, consignes, illustrations et spécifications fournies avec cet outil électrique. Ne pas suivre l'ensemble des règles et instructions peut entraîner une électrocution, un incendie ou des blessures graves. Conserver les règles et les instructions à des fins de référence ultérieure. Le terme "outil électrique" figurant dans les avertissements ci-dessous renvoie à l'outil électrique à alimentation par le réseau (à cordon) ou par batterie (sans fil).

SÉCURITÉ DU LIEU DE TRAVAIL

- **Veillez à ce que l'aire de travail soit propre et bien éclairée.** Le désordre et le manque de lumière favorisent les accidents.
- **Ne pas utiliser d'outils électriques dans des atmosphères explosives, par exemple en présence de liquides, gaz ou poussières inflammables.** Les outils électriques produisent des étincelles risquant d'enflammer les poussières ou vapeurs.
- **S'assurer que les enfants et les curieux se trouvent à une bonne distance au moment d'utiliser un outil électrique.** Les distractions peuvent causer une perte de contrôle.

SÉCURITÉ ÉLECTRIQUE

- **Les fiches des outils électriques doivent correspondre à la prise secteur utilisée. Ne jamais modifier la fiche, de quelque façon que ce soit. Ne jamais utiliser d'adaptateurs de fiche avec des outils mis à la terre.** Les fiches et prises non modifiées réduisent le risque de choc électrique.
- **Éviter tout contact avec des surfaces mises à la terre comme des tuyaux, des radiateurs, des cuisinières et des réfrigérateurs.** Le risque de choc électrique est accru lorsque le corps est mis à la terre.
- **Ne pas exposer les outils électriques à l'eau ou l'humidité.** La pénétration d'eau dans ces outils accroît le risque de choc électrique.
- **Ne pas maltraiter le cordon d'alimentation. Ne jamais utiliser le cordon d'alimentation pour transporter l'outil électrique et ne jamais débrancher ce dernier en tirant sur le cordon. Garder le cordon à l'écart de la chaleur, de l'huile, des objets tranchants et des pièces en mouvement.** Un cordon endommagé ou emmêlé accroît le risque de choc électrique.
- **Pour les travaux à l'extérieur, utiliser un cordon spécialement conçu à cet effet.** Utiliser un cordon conçu pour l'usage extérieur réduit les risques de choc électrique.
- **Si l'utilisation d'un outil électrique est inévitable dans un endroit humide, utiliser une source d'alimentation munie d'un disjoncteur de fuite de terre.** L'utilisation d'un disjoncteur de fuite de terre réduit le risque de choc électrique.

SÉCURITÉ INDIVIDUELLE

- **Rester attentif, prêter attention au travail et faire preuve de bon sens lors de l'utilisation de tout outil électrique. Ne pas utiliser cet appareil en cas de fatigue ou sous l'influence de l'alcool, de drogues ou de médicaments.** Un moment d'inattention pendant l'utilisation d'un outil électrique peut entraîner des blessures graves.

- **Porter l'équipement de protection individuel requis. Toujours porter une protection oculaire.** Selon les conditions, porter aussi un masque anti-poussières, des bottes de sécurité antidérapantes, un casque protecteur ou une protection auditive afin de réduire les blessures.
- **Empêcher les démarrages accidentels. S'assurer que la gâchette est en position d'arrêt avant de brancher l'outil à une source de courant, d'insérer la batterie, de le ramasser ou de le transporter.** Le fait de transporter un outil électrique en gardant le doigt sur la gâchette ou de mettre sous tension un outil électrique lorsque la gâchette est en position de marche favorise les accidents.
- **Retirer les clés de réglage avant de mettre l'outil en marche.** Une clé laissée sur une pièce rotative de l'outil peut causer des blessures.
- **Ne pas travailler hors de portée. Toujours se tenir bien campé et en équilibre.** Une bonne stabilité procure un meilleur contrôle de l'outil électrique en cas d'imprévus.
- **Porter une tenue appropriée. Ne porter ni vêtements amples, ni bijoux. Garder les cheveux et les vêtements à l'écart des pièces en mouvement.** Les vêtements flottants, les bijoux ou les cheveux longs risquent d'être happés par les pièces en mouvement.
- **Si les outils sont équipés de dispositifs de dé poussiérage, s'assurer qu'ils sont connectés et correctement utilisés.** L'utilisation d'un collecteur de poussière permet de réduire les dangers liés à la poussière.
- **Ne pas laisser la familiarité avec l'outil acquise par une utilisation fréquente vous rendre suffisant et vous amener à ignorer les règles de sécurité.** Une utilisation négligée peut causer une blessure grave en une fraction de seconde.

UTILISATION ET ENTRETIEN DE L'OUTIL ÉLECTRIQUE

- **Ne pas forcer l'outil électrique. Utiliser l'outil électrique approprié pour l'application.** Un outil électrique approprié exécutera le travail mieux et de façon moins dangereuse s'il est utilisé dans les limites prévues.
- **Ne pas utiliser l'outil électrique si le commutateur ne permet pas de le mettre en marche ou de l'arrêter.** Tout outil électrique qui ne peut pas être contrôlé par son commutateur est dangereux et doit être réparé.
- **Débrancher l'outil et/ou retirer le bloc-piles, si possible, avant d'effectuer des réglages, de changer d'accessoire ou de remettre l'outil.** Ces mesures de sécurité préventives réduisent les risques de démarrage accidentel de l'outil.
- **Entreposer l'outil électrique hors de la portée des enfants et interdire à quiconque de l'utiliser si la personne ne connaît pas bien le produit ou les instructions.** Les outils électriques sont dangereux dans les mains d'utilisateurs novices.
- **Entretien les outils électriques et les accessoires. Vérifier qu'aucune pièce mobile n'est mal alignée ou bloquée, qu'aucune pièce n'est brisée et s'assurer qu'aucun autre problème risqué d'affecter le bon fonctionnement de l'outil. En cas de dommages, faire réparer l'outil avant de l'utiliser.** Plusieurs accidents sont causés par des produits mal entretenus.

RÈGLES DE SÉCURITÉ PARTICULIÈRES POUR DES TRONÇONNEUSES

- **Garder les outils bien affûtés et propres.** Des outils correctement entretenus et dont les tranchants sont bien affûtés risquent moins de se bloquer et sont plus faciles à contrôler.
- **Utiliser l'outil électrique, les accessoires, les embouts etc. conformément à ces instructions en tenant compte des conditions de travail et de la tâche à effectuer.** L'usage d'un outil électrique pour des applications pour lesquelles il n'est pas conçu peut être dangereux.
- **Garder les poignées et les surfaces de préhension sèches, propres et exemptes d'huile ou de graisse.** Des poignées et des surfaces de préhension glissantes ne permettent pas de manipuler et de contrôler l'outil en toute sécurité en cas de situation imprévue.

UTILISATION ET ENTRETIEN DE LA BATTERIE

- **Pour recharger le bloc-piles, utiliser seulement le chargeur spécifié par le fabricant.** Un chargeur pouvant convenir à un type de bloc-piles peut entraîner un risque d'incendie lorsqu'il est utilisé avec un autre type de bloc-piles.
- **N'utiliser l'outil électrique qu'avec une batterie recommandée.** L'utilisation de tout autre bloc-piles peut créer un risque de blessures et d'incendie.
- **Lorsque le bloc-piles n'est pas utilisé, le tenir éloigné des objets en métal tels que les trombones, les pièces de monnaie, les clés, les clous, les vis ou d'autres petits objets métalliques qui pourraient connecter les bornes.** Le court-circuitage des bornes d'une pile peut entraîner des brûlures ou un incendie.
- **Éviter tout contact avec le liquide pouvant être éjecté de la pile en cas de manutention abusive.** En cas de contact accidentel, rincer immédiatement les parties atteintes avec de l'eau. Si le liquide entre en contact avec les yeux, consulter un médecin. Le liquide éjecté des piles peut causer des irritations ou des brûlures.
- **N'utiliser aucun bloc-piles ni aucun outil ayant été endommagé ou modifié.** Des piles endommagées ou modifiées peuvent adopter un comportement imprévisible pouvant causer un incendie, une explosion ou le risque de blessures.
- **Ne pas exposer le bloc-piles ou l'outil aux flammes ou à une température excessive.** Une exposition aux flammes ou à une température supérieure à 130°C (265°F) peut causer une explosion.
- **Suivre toutes les instructions de charge et ne pas charger le bloc-piles ou l'outil en dehors de la plage de température spécifiée.** Une charge incorrecte ou à des températures en dehors de la plage spécifiée peut endommager la pile et augmenter le risque d'incendie.

ENTRETIEN

- **Les réparations de l'outil électrique doivent être confiées à un technicien qualifié, utilisant exclusivement des pièces identiques à celles d'origine.** Le maintien de la sûreté de l'outil électrique sera ainsi assuré.
- **Ne jamais effectuer la réparation d'un bloc-piles endommagé.** La réparation du bloc-piles doit être réalisée par le fabricant ou les fournisseurs de service agréés uniquement.

- **Le carter fourni avec l'outil doit être fixé solidement à l'outil électrique et positionné de manière à garantir une sécurité optimale ; il importe donc de diriger le moins possible la meule vers l'utilisateur. Se tenir et tenir les badauds à une distance sécuritaire du rabot de la meule en rotation.** Le carter aide à protéger l'utilisateur des fragments qui peuvent se détacher de la meule et du contact accidentel avec la meule.
- **Utiliser uniquement des meules à tronçonner en diamant ou renforcée et collée avec votre outil électrique.** Le simple fait qu'un accessoire peut s'ajuster sur l'outil électrique ne signifie pas qu'il peut être utilisé en toute sécurité.
- **La vitesse nominale de l'accessoire doit au moins être égale à la vitesse maximale indiquée sur l'outil électrique.** Les accessoires qui sont utilisés à une vitesse supérieure à leur vitesse nominale peuvent se briser et se détacher.
- **Utiliser seulement les meules pour effectuer des opérations pour lesquelles elles sont conçues. Par exemple, ne pas meuler avec le côté d'une meule à tronçonner.** Seule la périphérie des meules à tronçonner abrasives doit être utilisée pour le meulage. Le fait d'appliquer une force latérale sur ces meules peut provoquer leur éclatement.
- **Toujours utiliser des brides de meule non endommagées ayant le diamètre convenable pour la meule choisie.** Les brides de meule adéquates soutiennent la meule, ce qui minimise les risques de bris de celle-ci.
- **Ne pas utiliser de meules renforcées usées qui proviennent d'outils électriques de plus grandes dimensions.** Les meules conçues pour des outils électriques de plus grandes dimensions ne conviennent pas à la vitesse plus élevée des outils de plus petites dimensions et peuvent éclater.
- **Le diamètre extérieur et l'épaisseur de l'accessoire doivent être conformes à la capacité de l'outil électrique.** Il est impossible d'envelopper ou de contrôler adéquatement un accessoire de dimension inappropriée.
- **La taille de l'arbre des meules et les brides doit convenir parfaitement à la broche de l'outil électrique.** Les meules et les brides dotées d'alisages centraux qui ne conviennent pas à la pièce de montage de l'outil se déstabiliseront, vibreront de façon excessive et pourront causer une perte de contrôle.
- **Ne pas utiliser des meules endommagées. Avant chaque utilisation, veuillez examiner les meules et s'assurer qu'elles sont exemptes d'ébréchantures et de fissures.** Si l'outil électrique ou la meule est échappé, s'assurer qu'ils ne sont pas endommagés ou installer un autre accessoire. Après l'inspection et l'installation de la meule, se tenir et tenir les badauds à une distance sécuritaire du rabot de la meule en rotation et faire fonctionner l'outil électrique à sa vitesse à vide maximale pendant une minute. Les meules endommagées se brisent généralement lors de cette vérification.

- **Porter de l'équipement de protection de qualité professionnelle.** Selon le type d'opération, porter un masque de protection ou des lunettes de sécurité. Au besoin, porter également un masque anti-poussière, un protecteur d'oreille, des gants et un tablier d'atelier résistant aux petits fragments abrasifs ou aux fragments provenant des pièces à travailler. La protection oculaire utilisée doit résister aux débris projetés lors des différentes opérations. Le masque anti-poussière et le masque filtrant doivent filtrer les particules produites lors de l'opération. Une exposition prolongée à un bruit fort peut entraîner une perte auditive.
 - **S'assurer que personne ne se tient à proximité du lieu de travail.** Toute personne qui entre sur le lieu de travail doit porter l'équipement de protection requis. Des fragments provenant de la pièce à travailler ou d'une meule brisée peuvent être projetés et causer des blessures, même à des personnes se tenant à une certaine distance du lieu de travail immédiat.
 - **Lorsque l'outil électrique est utilisé pour un travail risquant de mettre l'accessoire de coupe en contact avec des fils électriques cachés, le tenir par les surfaces de prise isolées uniquement.** Le contact d'un accessoire de coupe avec un fil sous tension " électrifié " les pièces métalliques exposées de l'outil et peut électrocuter l'utilisateur.
 - **Ne jamais déposer l'outil électrique avant l'arrêt complet de l'accessoire.** La meule en rotation peut attraper la surface et occasionner une perte de contrôle.
 - **Ne jamais laisser l'outil électrique fonctionner en le transportant à ses côtés.** L'accessoire en rotation peut s'accrocher accidentellement aux vêtements et entrer en contact avec l'utilisateur.
 - **Nettoyer régulièrement les événements d'aération de l'outil électrique.** Le ventilateur du moteur aspire la poussière dans le logement et crée une accumulation excessive de métal fritté, ce qui peut causer un danger électrique.
 - **Ne pas faire fonctionner l'outil électrique à proximité de matériaux inflammables.** Les étincelles peuvent enflammer ces matériaux.
- Causes de rebond et avertissements associés**
- Un rebond est une réaction soudaine attribuable au pincement ou à l'accrochage de la meule. Un pincement ou un accrochage provoque le blocage immédiat de la meule en rotation qui, à son tour, entraîne l'outil incontrôlé dans le sens opposé à la rotation de l'accessoire, à l'endroit du coincement. Par exemple, si une meule abrasive est accrochée ou pincée par la pièce à travailler, le rebord de la meule qui entre dans le point de pincement peut s'enfoncer dans la surface du matériel, éjectant la meule ou la faisant rebondir. La meule peut sauter vers l'utilisateur ou loin de lui, selon le sens du mouvement de la meule au point de pincement. Dans ces conditions d'utilisation, les meules abrasives peuvent également se briser.
- Le rebond est causé par une mauvaise utilisation de la scie et/ou des méthodes de travail incorrectes et il peut être évité en prenant les précautions suivantes:
- **Tenir fermement l'outil électrique et placer le corps et les mains afin de pouvoir résister les rebonds.** Toujours utiliser la poignée auxiliaire, s'il y en a une, pour assurer un contrôle optimal en cas de rebond ou de réaction de couple lors du démarrage de l'outil. L'utilisateur peut contrôler les rebonds et les réactions de couple s'il respecte les directives prescrites.
 - **Ne jamais placer les mains à proximité de l'accessoire en rotation.** En cas de rebond, l'accessoire peut dévier sur celles-ci.
 - **Ne pas se tenir vis-à-vis de la meule en rotation.** Un rebond entraînera l'outil dans le sens opposé au mouvement de la meule, à l'endroit de l'accrochage.
 - **Faire preuve d'une extrême prudence au moment d'utiliser l'outil sur des coins ou des rebords tranchants. Éviter le rebond et l'accrochage de l'accessoire.** Les coins, les rebords tranchants et les surfaces qui tressautent ont tendance à s'accrocher à la pièce en rotation et à causer une perte de contrôle ou des rebonds.
 - **Ne pas attacher une chaîne, une lame à bois, une meule tronçonneuse diamant segmentée avec un intervalle périphérique plus grand que 10 mm ni une lame dentée.** Ces types de lame occasionnent de nombreux rebonds et des pertes de contrôle fréquentes.
 - **S'assurer que la meule ne se coince pas et éviter d'appliquer trop de pression. Ne pas régler la meule à une profondeur de coupe excessive.** Le fait d'appliquer trop de pression sur la meule augmente la charge, la tendance de la meule à se tordre ou à se coincer pendant la coupe, ainsi que les risques de rebond ou de bris de la meule.
 - **Si la meule se coince ou si l'opération de coupe est interrompue pour une raison quelconque, éteindre l'outil électrique et le maintenir immobile jusqu'à ce que la meule s'arrête complètement. Ne jamais essayer de retirer la meule de la coupe quand elle est en mouvement, car ceci pourrait provoquer du rebond.** Déterminer et éliminer la cause du blocage de la meule.
 - **Ne pas remettre en marche l'outil si celui-ci est dans la pièce. Laisser la meule parvenir à sa vitesse maximale et la réinsérer prudemment dans la coupe.** La meule risque de se coincer, de se soulever ou de rebondir si cette précaution n'est pas prise.
 - **Soutenir les panneaux ainsi que toute pièce à travailler surdimensionnée afin de minimiser les risques de pincement de la meule et de rebond.** Les pièces à travailler de grandes dimensions ont tendance à fléchir sous leur propre poids. Il est important donc de disposer des supports sous la pièce à travailler, près du trait de coupe ainsi que du rebord de la pièce à travailler, des deux côtés de la meule.
 - **Redoubler de prudence lors de la découpe d'évidements dans des cloisons ou autres endroits sans visibilité arrière.** La meule sortante peut couper les conduites d'eau ou de gaz, le câblage électrique, ainsi que tout autre objet pouvant provoquer un rebond.

• Inspectez les protections et les autres pièces avant chaque utilisation ou après le bris de la roue. N'utilisez pas un outil défectueux. Fixez-y une étiquette marquée "HORS D'USAGE" jusqu'à ce qu'il soit réparé. Si une garde ou une autre pièce est défectueuse, elle devrait être réparée ou remplacée dans un centre de service MILWAUKEE accrédité.

• Ne pas l'utiliser sans a garde de bande.

• Utiliser uniquement une seule meule. Plusieurs de meules pourront s'user, ce qui provoquera du rebond, qu'elles se cassent et soient projetées, ce qui mènera des blessures physiques.

• Risque de brûlure chimique. Gardez la batterie des cellules de hors de la portée des enfants.

▲ **AVERTISSEMENT** Pour réduire le risque de blessures dans les applications qui produisent une quantité considérable de poussière, utilisez une solution d'extraction de poussière conforme à l'OSHA conformément aux instructions d'utilisation de la solution.

• Toujours faire preuve de bons sens et procéder avec prudence lors de l'utilisation d'outils. C'est impossible de prévoir toutes les situations dont le résultat est dangereux. Ne pas utiliser cet outil si vous ne comprenez pas ces instructions d'opération ou si vous pensez que le travail dépasse votre capacité ; veuillez contacter Milwaukee Tool ou un professionnel formé pour recevoir plus d'information ou formation.

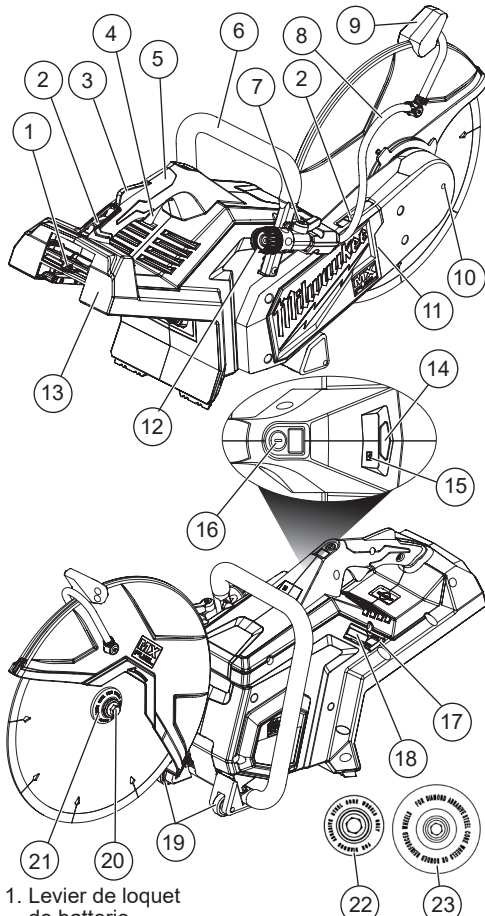
• Maintenir en l'état les étiquettes et les plaques d'identification. Des informations importantes y figurent. Si elles sont illisibles ou manquantes, contacter un centre de services et d'entretien MILWAUKEE pour un remplacement gratuit.

▲ **AVERTISSEMENT** Certaines poussières générées par les activités de ponçage, de coupe, de rectification, de perçage et d'autres activités de construction contiennent des substances considérées être la cause de malformations congénitales et de troubles de l'appareil reproducteur. Parmi ces substances figurent :

• le plomb contenu dans les peintures à base de plomb ;

• la silice cristalline des briques, du ciment et d'autres matériaux de maçonnerie, ainsi que

• l'arsenic et le chrome des sciages traités chimiquement. Les risques encourus par l'opérateur envers ces expositions varient en fonction de la fréquence de ce type de travail. Pour réduire l'exposition à ces substances chimiques, l'opérateur doit : travailler dans une zone bien ventilée et porter l'équipement de sécurité approprié, tel qu'un masque anti-poussière spécialement conçu pour filtrer les particules microscopiques.



- | | |
|--------------------------------------|-------------------------------------|
| 1. Levier de loquet de batterie | 13. Port de connexion au chariot* |
| 2. Goupille pour sangle de transport | 14. Voyant à DEL Eco-Coach |
| 3. Levier de verrouillage | 15. Avertisseur ONE-KEY™ |
| 4. Gâchette | 16. Touche d'armement |
| 5. Poignée | 17. Clé hexagonale |
| 6. Poignée avant | 18. Clé mixte |
| 7. Vanne d'alimentation en eau | 19. Roulettes |
| 8. Tube d'alimentation en eau | 20. Boulon de broche |
| 9. Poignée de carter de meule | 21. Bride de meule |
| 10. Trou d'accès au verrou de broche | 22. Bride extérieure de 53 mm (2") |
| 11. Garde de courroie | 23. Bride extérieure de 105 mm (4") |
| 12. Raccord de connexion rapide | |

*Le port de connexion permet d'utiliser la tronçonneuse en combinaison avec le 3105 chariot pour scie à tronçonner de MILWAUKEE. Toujours fermer le port de connexion au chariot lorsqu'il n'est pas utilisé pour préserver la protection contre la poussière et l'humidité. Vous reporter aux instructions du chariot pour de plus amples renseignements.

SPÉCIFICATIONS

No de Cat.....	MXF315
Type de batterie.....	MX FUEL™
Type de chargeur.....	MX FUEL™
Tours-minute (RPM).....	5 370
Type de meule.....	Au diamant ou abrasives
Classification de meule maximale.....	5 370 RPM
Taille de meule maximale.....	355 mm (14")
Épaisseur de meule maximale.....	3 mm (1/8")
Taille de trou d'axe de meule*.....	20 mm ou 1"
Profondeur de coupe maximale.....	127 mm (5")
Entrée d'alimentation en eau.....	60 psi (max)
Module/ID de FCC.....	BGM11S/QOQ11
Température ambiante de fonctionnement recommandée.....-18°C à 50°C (0°F à 125°F)	

*L'outil es muni d'un adaptateur d'axe (20 mm ou 1"). Pour s'assurer que la meule est bien fixe, toujours utiliser la taille d'adaptateur d'axe qui convient à la taille du tour d'axe de meule.

PICTOGRAPHIE



Volts



Courant direct

n XXXX min⁻¹ Tours-minute (RPM)



⚠ AVERTISSEMENT

Risque de décharge électrique



Tenir les parties du corps à l'écart des pièces en mouvement.



Faire convenir le sens de la flèche sur la meule à celui de la flèche sur la tronçonneuse.



L'outil est muni de la technologie RAPIDSTOP™.



Lire le manuel d'utilisation



Toujours porter une protection oculaire. Porter une protection respiratoire et auditive appropriée.



UL Listing Mark pour Canada et États-unis

MONTAGE DE L'OUTIL

⚠ AVERTISSEMENT Ne recharger la batterie qu'avec le chargeur spécifié. Pour les instructions de charge spécifiques, lire le manuel d'utilisation fourni avec le chargeur et les batteries.

Enlèvement/insertion de la batterie

Pour **retirer** le bloc-piles, pousser le verrou de loquet de bloc-piles vers un côté et serrer le levier du loquet. Tirer du bloc-piles pour le faire sortir de l'outil.

⚠ AVERTISSEMENT Toujours retirer la batterie les fois que l'outil est inutilisé.

Pour **insérer** la batterie, la glisser dans le corps de l'outil. S'assurer qu'elle est fixée solidement.

⚠ AVERTISSEMENT L'emploi d'accessoires autres que ceux qui sont expressément recommandés pour cet outil peut comporter des risques.

Sélection de la meule et de la bride extérieure

⚠ AVERTISSEMENT Afin de minimiser le risque de blessures, utiliser une meule à tronçonner ayant une vitesse d'opération sécuritaire maximale nominale d'au moins 5 370 Tr/Min. **VEILLER À LIRE LES INFORMATIONS DE SÉCURITÉ FOURNIES AVEC LA MEULE À TRONÇONNER.** Toujours porter l'équipement de sécurité approprié, y compris un masque antipoussière.

Utiliser uniquement la meule correcte qui a été conçue pour cet outil. **N'UTILISER AUCUN TYPE DE LAME POUR SCIE. UTILISER UNIQUEMENT DES MEULES AU DIAMANT ET ABRASIVES TYPE " 1 ".**

La bride extérieure appropriée doit convenir au type de meule, ceci pour minimiser le risque de blessures corporelles.



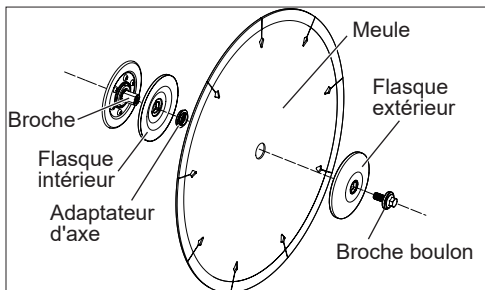
La petite bride (53 mm ou 2") peut **UNIQUEMENT** être utilisée avec les celles au diamant.

La bride large (104 mm ou 4") peut être utilisée avec les meules abrasives et celles au diamant.

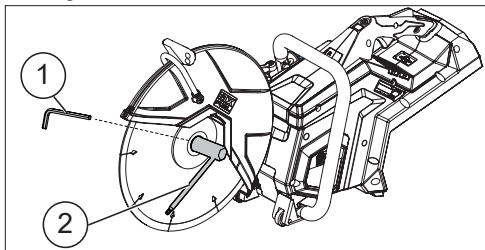
Installation et enlèvement des meules de sectionnement

⚠ AVERTISSEMENT Les roues sont tranchantes. Porter des gants de travail lors de la manipulation des roues.

1. **AVERTISSEMENT!** Retirez la batterie pour éviter de démarrer l'outil.
2. Placer l'outil sur une surface ferme.
3. Déplacer le carter de meule pour un accès plus facile au boulon de broche.
4. Glisser le flasque intérieur, l'adaptateur d'axe, la meule à tronçonner et le flasque extérieur sur l'axe. S'assurer que l'adaptateur d'axe convient à la taille du trou d'axe de meule (20 mm ou 1").



5. Pendant que le verrou de broche est en place à l'aide d'une clé hexagonale (1), installer et serrer fermement le boulon d'axe à l'aide d'une clé à bougie avec tournevis.



6. Pour **retirer** les meules à tronçonner, maintenir le verrou de broche en place et desserrer le boulon de broche à l'aide d'une clé à bougie avec tournevis. Retirer le boulon de broche, le flasque extérieur, l'adaptateur d'axe et la meule à tronçonner.

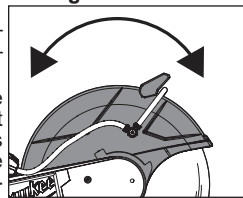
Ajustage de la Garde de Disque

⚠ AVERTISSEMENT Afin de minimiser le risque de blessures lorsqu'une coupe est effectuée, **TOUJOURS** ajuster la garde pour jouer du plus haut niveau de contrôle et de protection. Porter des gants pour protéger vos mains lors de l'ajustage de la garde.

1. AVERTISSEMENT!

Retirez la batterie pour éviter de démarrer l'outil.

2. Tenir la poignée de la garde du disque et la faire tourner vers l'avant ou vers l'arrière (plage de 45°). Toujours mettre la garde dans l'emplacement où elle peut offrir le plus haut niveau de contrôle et de protection.



ONE-KEY™

Pour en apprendre plus long sur la fonctionnalité ONE-KEY™ de cet outil, visitez le milwaukeeetool.com/One-Key. Pour télécharger l'application ONE-KEY™, visitez l'App Store® d'Apple ou Google Play™ à l'aide de votre appareil intelligent.

Indicateur ONE-KEY™

Bleu uni	Le mode sans fil est engagé et prêt pour le configurer à l'aide de l'appli ONE-KEY™.
Bleu clignotant	L'outil établit une communication active avec l'appli ONE-KEY™.
Rouge clignotant	L'outil a un blocage sécuritaire et ne pourra être débloqué que par le propriétaire à l'aide de l'appli ONE-KEY™.

MANIEMENT

⚠ AVERTISSEMENT Afin de minimiser le risque de blessures, toujours porter la protection oculaire appropriée certifiée conforme à la norme ANSI Z87.1.

Lorsque de travaux sont faits dans de situations poussiéreuses, porter une protection respiratoire ou bien, utiliser une solution d'extraction de poussière conforme aux normes OSHA.

Connexion à eau

Une connexion à eau est disponible sur la tronçonneuse afin d'utiliser tous les types d'alimentation en eau. Effectuer des coupes humides si possible ; l'eau refroidit la meule (ce qui augmente sa vie utile) et minimise la formation de poussière. Suivre toutes les instructions et tous les avertissements fournis par le fabricant de la meule concernant les coupes humides. Étant donné la présence de la vanne d'eau électronique, l'eau ne coulera pas sauf si la vanne est en position " ALLUMÉ " et la gâchette est appuyée.

Assemblage de l'outil

Les outils MX FUEL™ devront être armés avant leur utilisation. Même que le bloc-piles soit inséré, les fonctions de la gâchette et l'outil ne fonctionnera pas jusqu'à ce que l'outil soit armé.

Pour armer l'outil :

1. Insérer le bloc-piles.
2. Appuyez sur le bouton Bras. L'icône MX FUEL™ s'allume. La gâchette s'armera en 2 secondes.
3. Après 10 minutes d'inactivité, l'outil entrera en mode de veille. L'icône MX FUEL™ s'éteindra et la gâchette et les voyants DEL seront non opérationnels.
4. Appuyer et tenir enfoncé le bouton d'armement pendant 1 seconde pour réactiver l'outil.
5. Appuyer et tenir enfoncé le bouton d'armement pendant 1 seconde pour désarmer (éteindre) l'outil. L'icône MX FUEL™ s'éteindra.

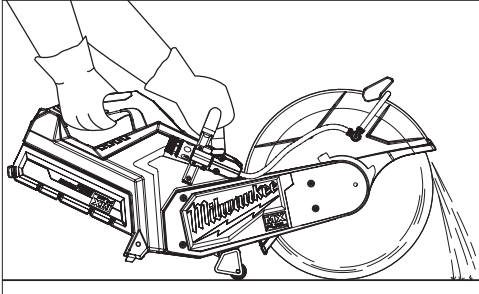
Voyant à DEL ECO-Coach

Toujours prêter attention au voyant à DEL ECO-Coach durant la coupe.

Problème	Cause	Solution
Éteint	L'outil est désarmé Aucune application ; aucune charge détectée L'outil fonctionne en deçà de sa charge optimale	Armer l'outil Fonctionnement normal Appliquer plus de pression sur l'outil en application pour augmenter la charge.
S'allume en vert fixe	L'outil fonctionne dans la charge optimale	Fonctionnement normal
S'allume en rouge fixe	L'outil fonctionne au-delà de sa charge optimale ; risque de surchauffe des pièces électroniques. L'outil s'éteindra automatiquement après 5 secondes dans cet état.	Réduire immédiatement la pression sur la meule
S'allume, clignote 10 fois et s'éteint	Avertisseur de surchauffe, l'outil ne fonctionnera pas jusqu'à ce qu'il se refroidisse	Laisser refroidir l'outil
S'allume, clignote quand inactive	Avertisseur de surchauffe, l'outil ne fonctionnera pas jusqu'à ce qu'il se refroidisse Batterie faible	Laisser refroidir l'outil Remplacer la batterie

Exécution d'une coupe

1. Insérer le bloc-piles.
2. Armer la tronçonneuse.
3. Presser le levier de verrouillage et appuyer sur la gâchette. Laisser la tronçonneuse parvenir à atteindre sa vitesse maximale et puis abaisser lentement la meule dans la pièce à travailler.
REMARQUE : Toujours débiter la coupe en poussant doucement la meule à travers la pièce à travailler. Ne pas frapper ou heurter la meule au début d'une coupe ou durant celle-ci. Toujours pousser la tronçonneuse loin de vous.
4. Maintenir une prise ferme durant la coupe. Ne pas forcer la tronçonneuse pour la faire entrer dans la pièce à travailler. Forcer la tronçonneuse pourra causer du rebond.



5. Toujours prêter attention au voyant à DEL ECO-Coach durant la coupe.
6. Une fois la coupe terminée, toujours laisser la meule s'arrêter complètement. Ne jamais retirer la tronçonneuse d'une coupe quand la meule continue à tourner.
7. Si vous voulez effectuer une coupe partielle, recommencer une coupe ou corriger la direction de coupe, laisser la meule parvenir à s'arrêter complètement avant de le faire. Pour reprendre une coupe, centrer la meule dans le trait (rainure), reculer la meule du bord tranchant quelques centimètres, appuyer sur la gâchette et entamer lentement la coupe à nouveau.
REMARQUE : Si la tronçonneuse se bloque, maintenir une prise ferme et relâcher immédiatement la gâchette. Corriger le problème avant de continuer.

ENTRETIEN

⚠ AVERTISSEMENT Pour minimiser les risques de blessures corporelles, débranchez le chargeur et retirez la batterie du chargeur ou de machine avant d'y effectuer des travaux d'entretien. Ne jamais démonter le bloc-piles, le chargeur ou la machine, sauf si ces instructions indiquent faire une telle chose. Pour toute autre réparation, contacter un centre de service de MILWAUKEE.

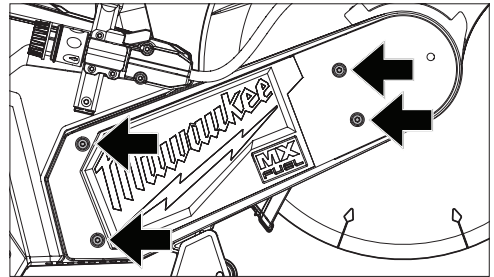
Entretien de l'outil

Gardez l'outil en bon état en adoptant un programme d'entretien ponctuel. Inspectez votre outil pour des questions telles que le bruit excessif, de grippage des pièces mobiles, de pièces cassées ou toute autre condition qui peut affecter le fonctionnement de l'outil. Retournez votre outil à un centre de service MILWAUKEE accrédité pour obtenir le service. Après une période pouvant aller de 6 mois à un an, selon l'usage, retournez votre outil à un centre de service MILWAUKEE accrédité pour d'inspection. Si l'outil ne démarre pas ou ne fonctionne pas à pleine puissance alors qu'il est branché sur une batterie complètement chargée, nettoyez les points de contact entre la batterie et l'outil. Si l'outil ne fonctionne toujours pas correctement, renvoyez l'outil, le chargeur et la batterie à un centre de service MILWAUKEE accrédité.

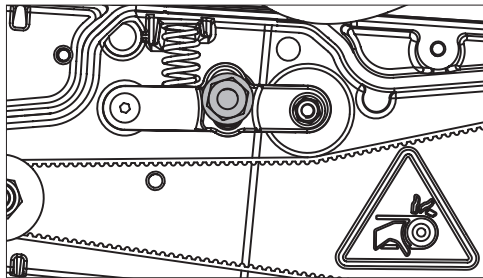
Remise en tension de la courroie

Il faudra remettre en tension la courroie tous les 3 mois ou à chaque fois qu'il y a une réduction dans son fonctionnement.

1. **AVERTISSEMENT !** Retirer le bloc-piles pour éviter de démarrer la tronçonneuse.
2. Pour remettre en tension la courroie, utiliser un embout T25 pour desserrer les quatre vis fixant la garde de la courroie.



3. Retirer la garde de la courroie.
4. Examiner la courroie et la remplacer si elle montre des signes d'usure ou de détérioration..
5. Desserrer l'écrou tendeur à l'aide d'une clé à douille de 13 mm.



6. Une fois desserré, le ressort de tension s'étendra pour mettre le tendeur contre la courroie. Ne pas ajuster le tendeur à la main, car il se réglera automatiquement une fois lâché.
7. Serrer l'écrou tendeur à la main pour verrouiller le tendeur en place.
8. Effectuer une révision de la tension de la courroie pour s'assurer qu'aucune déviation ne se produit durant le resserrement.
9. Installer la garde de la courroie.

ONE-KEY™

▲ AVERTISSEMENT Risque de brûlure chimique.

Ce dispositif contient une pile bouton au lithium. Une pile neuve ou usée peut causer des brûlures internes graves entraînant la mort en seulement 2 heures si avalée ou entrée dans le corps. Toujours fixer le couvercle du compartiment des piles. Si le couvercle ne se ferme pas bien, arrêter d'utiliser le dispositif, retirer les piles et les garder hors de la portée des enfants. Si vous soupçonnez que les piles ont été avalées ou entrées dans le corps, consultez immédiatement un médecin.



Pile bouton interne

Une pile bouton interne est utilisée pour faciliter la fonctionnalité ONE-KEY™ complète.

Pour remplacer la pile bouton :

1. **AVERTISSEMENT!** Retirez la batterie de l'outil pour éviter de démarrer l'outil.
2. Retirer les vis et ouvrir la porte du compartiment de la pile bouton.
3. Retirer la vieille pile bouton, la tenir hors de la portée des enfants et se débarrasser d'elle comme il faut.
4. Mettre la nouvelle pile bouton (3V CR2032), en mettant le pôle positif vers le haut.
5. Fermer la porte du compartiment de la pile et serrer la vis fermement.

▲ AVERTISSEMENT Pour minimiser les risques de blessures ou de dommages à l'outil, n'immergez jamais l'outil, la batterie ou le chargeur et ne laissez pas de liquide s'y infiltrer.

Nettoyage

Débarrassez les tous événements des débris et de la poussière. Gardez les machine propres, à sec et exemptes d'huile ou de graisse. Le nettoyage doit se faire avec un linge humide et un savon doux. Certains nettoyants tels l'essence, la térébenthine, les diluants à laque ou à peinture, les solvants chlorés, l'ammoniaque et les détergents d'usage domestique qui en contiennent pourraient détériorer le plastique et l'isolation des pièces. Ne laissez jamais de solvants inflammables ou combustibles auprès des outils.

Nettoyage du bloc-piles et le compartiment de piles

Maintenir les connexions et les surfaces du bloc-piles qui se trouvent entre l'outil et la pile exempt de débris ainsi que de matériaux.

Ne pas maintenir les surfaces propres pourra entraîner le désalignement de la connexion du bloc-piles ou bien, endommager la connexion de la pile tout entière.

Réparations

Pour les réparations, retournez la machine au centre de service autorisé le plus proche.

ACCESOIRES

▲ AVERTISSEMENT L'utilisation d'autres accessoires que ceux qui sont spécifiquement recommandés pour cet outil peut comporter des risques.

Pour une liste complète des accessoires, visiter le site internet www.milwaukeetool.com ou contactez un distributeur.

COMMUNICATION SANS FIL

Pour les produits comportant des fonctions de communication sans fil, ONE-KEY™ y compris : Conformément à la part 15.21 du Règlement de la FCC, ne pas modifier ce produit-ci. Une telle modification pourra annuler votre autorisation à utiliser le produit. Cet appareil est conforme à la part 15 du Règlement de la FCC et les normes RSS d'exemption de licence de l'ISED-Canada. Son fonctionnement est soumis aux conditions suivantes : 1) Cet appareil ne doit produire aucun brouillage préjudiciable ; et 2) cet appareil doit fonctionner en dépit de tout brouillage capté, y compris le brouillage pouvant mener à un fonctionnement non désiré

SERVICE - CANADA

Milwaukee Tool (Canada) Ltd

1.877.948.2360

Monday-Friday, 7:00 AM - 4:30 PM CST

www.milwaukeetool.ca

GARANTIE LIMITÉE - AUX ÉTATS-UNIS ET AU CANADA

Tout produit, bloc-piles et chargeur MX FUEL™ MILWAUKEE sont garantis à l'acheteur d'origine par un distributeur agréé MILWAUKEE d'être exempts uniquement de vice de matériau et de fabrication. Sous réserve de certaines exceptions, MILWAUKEE réparera ou remplacera tout produit, bloc-piles ou chargeur MX FUEL™ qui, après examen, seront confirmés par MILWAUKEE d'être affectés d'un vice de matériau ou de fabrication pour une période de deux (2) ans après la date d'achat. Retourner le produit, le bloc-piles ou le chargeur MX FUEL™ à un centre de service en usine MILWAUKEE ou un poste d'entretien agréé MILWAUKEE, en port prépayé et assuré. Pour en savoir plus sur le processus de livraison du bloc-piles, veuillez composer le 1.800.SAWDUST (1.800.729.3878) ou visiter le site www.milwaukeeetool.com. Une copie de la preuve d'achat doit être présentée lors du retour du produit. Cette garantie ne couvre pas les dommages que MILWAUKEE détermine d'être causés par des réparations ou des tentatives de réparation par quiconque d'autre que le personnel agréé par MILWAUKEE, des utilisations incorrectes, des altérations, des utilisations abusives, une usure normale, une carence d'entretien ou des accidents.

Usure normale : Plusieurs produits MX FUEL™ nécessiteront du remplacement et de l'entretien de leurs pièces fréquents afin de jouir de leur rendement optimal. Cette garantie ne couvre pas les réparations lorsque l'utilisation normale a épuisé la vie utile d'une pièce, y compris les courroies d'entraînement et d'assistance, les poulies, les flasques de disques, les joints à vide, les poignées sans outillage, les épingles de chasse, les patins, les coupleurs d'entraînement, les gaines en caoutchouc, l'alimentation automatique, les blocs de stabilisation, les roues, les porte-roues, les cordons, les joints toriques, les embouts, les lames d'entraînement, les pistons, les perceurs, les pousoirs, les porte-outils et les rondelles de protection de bouter.

Il n'est pas nécessaire d'inscrire la garantie pour obtenir la garantie correspondante d'un produit, d'un bloc-piles ou d'un chargeur MX FUEL™. L'ACCEPTATION DES RECOURS EXCLUSIFS DE RÉPARATION ET DE REMPLACEMENT DÉCRITS PAR LA PRÉSENTE EST UNE CONDITION DU CONTRAT D'ACHAT DE TOUT PRODUIT MILWAUKEE. SI VOUS N'ACCEPTÉZ PAS CETTE CONDITION, VOUS NE DEVEZ PAS ACHETER LE PRODUIT. EN AUCUN CAS MILWAUKEE NE SAURAIT ÊTRE RESPONSABLE DE TOUT DOMMAGE ACCESSOIRE, SPÉCIAL OU INDIRECT DE DOMMAGES-INTÉRÊTS PUNITIFS OU DE TOUTE DÉPENSE, D'HONORAIRES D'AVOCATS, DE FRAIS, DE PERTE OU DE DÉLAIS ACCESSOIRES À TOUT DOMMAGE, DÉFAILLANCE OU DÉFAUT DE TOUT PRODUIT, Y COMPRIS NOTAMMENT LES PERTES DE PROFIT. CERTAINS ÉTATS ET PROVINCES NE PERMETTANT L'EXCLUSION OU LA LIMITATION DES DOMMAGES DIRECTS OU INDIRECTS, LES RESTRICTIONS CI-DESSOUS PEUVENT NE PAS ÊTRE APPLICABLES. CETTE GARANTIE EST EXCLUSIVE ET REMPLACE TOUTE AUTRE GARANTIE EXPRESSE, QU'ELLE SOIT VERBALE OU ÉCRITE, DANS LA MESURE PERMISE PAR LA LOI. MILWAUKEE RENONCE À TOUTE GARANTIE IMPLICITE, Y COMPRIS, SANS S'Y LIMITER, TOUTE GARANTIE IMPLICITE DE COMMERCIALISABILITÉ OU D'ADAPTION À UNE UTILISATION OU À UNE FIN PARTICULIÈRE. DANS LA MESURE OU UNE TELLE STIPULATION D'EXONÉRATION N'EST PAS PERMISE PAR LA LOI, LA DURÉE DE CES GARANTIES IMPLICITES EST LIMITÉE À LA PÉRIODE APPLICABLE DE LA GARANTIE EXPRESSE, TELLE QUE CELA EST DÉCRIT PRÉCÉDEMMENT. CERTAINES PROVINCES NE PERMETTANT PAS DE LIMITATION DE DURÉE DES GARANTIES IMPLICITES, LES RESTRICTIONS CI-DESSOUS PEUVENT NE PAS ÊTRE APPLICABLES. LA PRÉSENTE CONFÈRE À L'UTILISATEUR DES DROITS LÉGAUX PARTICULIERS. IL BÉNÉFICIE ÉGALEMENT D'AUTRES DROITS QUI VARIENT D'UNE PROVINCE À L'AUTRE. Cette garantie s'applique uniquement aux produits vendus aux États-Unis et au Canada.

Veuillez consulter l'onglet "Trouver un centre de service" dans la section "Pièces et service" du site web de MILWAUKEE, à l'adresse www.milwaukeeetool.com, ou composer le 1.800.SAWDUST (1.800.729.3878) pour trouver le centre de service le plus proche pour l'entretien, sous garantie ou non, d'un produit, d'un bloc-piles ou d'un chargeur MX FUEL™.

ADVERTENCIAS DE SEGURIDAD GENERALES PARA LA HERRAMIENTA ELÉCTRICA

⚠️ ADVERTENCIA Lea todas las advertencias de seguridad, instrucciones, ilustraciones y especificaciones con esta herramienta eléctrica. Si no sigue todas las advertencias e instrucciones, se pueden provocar una descarga eléctrica, un incendio o lesiones graves. **Guarde todas las advertencias e instrucciones para consultarlas en el futuro.** El término "herramienta eléctrica" en todas las advertencias incluidas más abajo se refiere a su herramienta operada por conexión (cable) a la red eléctrica o por medio de una batería (inalámbrica).

SEGURIDAD EN EL ÁREA DE TRABAJO

- **Mantenga el área de trabajo limpia y bien iluminada.** Las áreas desordenadas u oscuras son propicias para los accidentes.
- **No utilice herramientas eléctricas en atmósferas explosivas, tales como en presencia de líquidos, gases o polvos inflamables.** Las herramientas eléctricas generan chispas que pueden encender el polvo o los vapores.
- **Mantenga a los niños y a los espectadores alejados mientras utiliza una herramienta eléctrica.** Las distracciones pueden ocasionar la pérdida de control.

SEGURIDAD ELÉCTRICA

- **Los enchufes de la herramienta eléctrica deben coincidir con el tomacorriente. Nunca modifique el enchufe de ninguna manera. No utilice adaptadores de enchufe con herramientas eléctricas aterrizadas.** Los enchufes y tomacorrientes correspondientes sin modificar reducirán el riesgo de descarga eléctrica.
- **Evite el contacto corporal con superficies aterrizadas, tales como tuberías, radiadores, estufas y refrigeradores.** Existe un riesgo mayor de descarga eléctrica si su cuerpo está aterrizado.
- **No exponga las herramientas eléctricas a la lluvia ni a condiciones húmedas.** Si se introduce agua en una herramienta eléctrica, aumentará el riesgo de descarga eléctrica.
- **No maltrate el cable. Nunca utilice el cable para cargar, jalar o desconectar la herramienta eléctrica. Mantenga el cable alejado del calor, el aceite, los bordes afilados o las partes en movimiento.** Los cables dañados o enredados aumentan el riesgo de descarga eléctrica.
- **Al utilizar una herramienta eléctrica en exteriores, utilice una extensión adecuada para uso en exteriores.** El uso de una extensión adecuada para el uso en exteriores disminuye el riesgo de descarga eléctrica.
- **Si es inevitable utilizar una herramienta eléctrica en un lugar húmedo, utilice un alimentador de corriente protegido con un interruptor de circuito por falla de conexión a tierra (GFCI).** El uso de un GFCI reduce el riesgo de descarga eléctrica.

SEGURIDAD PERSONAL

- **Manténgase alerta, atento a lo que está haciendo y utilice el sentido común al utilizar una herramienta eléctrica.** No utilice una herramienta eléctrica mientras está cansado o bajo la influencia de drogas, alcohol o medicamentos. Un momento de distracción al utilizar herramientas eléctricas puede ocasionar lesiones personales graves.
- **Utilice equipo de protección personal. Siempre use protección para los ojos.** El equipo de protección, tal como una máscara contra polvo, calzado antideslizante, casco o protección auditiva, utilizado para condiciones adecuadas disminuirá las lesiones personales.
- **Evite el arranque accidental. Asegúrese de que el interruptor esté en la posición de apagado antes de conectarlo a una fuente de poder y/o batería, levantar o trasladar la herramienta.** Trasladar herramientas con el dedo en el interruptor o energizar herramientas eléctricas que tienen el interruptor encendido propicia accidentes.
- **Retire cualquier llave de ajuste antes de entender la herramienta.** Una llave que se deje insertada en una parte giratoria de la herramienta eléctrica puede ocasionar lesiones personales.
- **No estire el cuerpo demasiado. Mantenga un buen contacto entre los pies y el suelo y mantenga el equilibrio en todo momento.** Esto permite un mejor control de la herramienta eléctrica en situaciones inesperadas.
- **Vístase adecuadamente. No utilice ropa o joyería holgada. Mantenga el cabello y la ropa alejados de las partes móviles.** La ropa holgada, las alhajas o el cabello largo pueden quedarse atrapados en las partes móviles.
- **Si se proporcionan dispositivos para la conexión de instalaciones de extracción y recolección de polvo, cerciórese de que estén conectados y se utilicen correctamente.** El uso de dispositivos recolectores de polvo puede disminuir los riesgos relacionados con el polvo.
- **No permita que la familiaridad por el uso frecuente de las herramientas lo hagan sentirse seguro e ignorar los principios de seguridad de las herramientas.** Un descuido puede provocar lesiones graves en una fracción de segundo.

USO Y CUIDADO DE LAS HERRAMIENTAS ELÉCTRICAS

- **No fuerce la herramienta eléctrica. Utilice la herramienta eléctrica correcta para su aplicación.** La herramienta eléctrica correcta realizará el trabajo mejor y con mayor seguridad a la velocidad para la que fue diseñada.
- **No utilice la herramienta eléctrica si el interruptor no la enciende y la apaga.** Cualquier herramienta eléctrica que no pueda controlarse con el interruptor es peligrosa y debe repararse.
- **Desconecte el enchufe de la fuente de energía y/o quite la batería de la herramienta eléctrica, si es posible, antes de realizar cualquier ajuste, cambiar accesorios o almacenar las herramientas eléctricas.** Tales medidas preventivas de seguridad disminuyen el riesgo de que la herramienta eléctrica se encienda accidentalmente.

- **Almacene las herramientas eléctricas que no se estén utilizando fuera del alcance de los niños y no permita que personas que no estén familiarizadas con la herramienta eléctrica o con estas instrucciones la utilicen.** Las herramientas eléctricas son peligrosas en manos de usuarios sin capacitación.
- **Dé mantenimiento a las herramientas eléctricas y accesorios. Verifique que no haya desalinación, amarre de partes móviles, partes rotas o alguna otra condición que pueda afectar el funcionamiento de la herramienta eléctrica.** Si se daña, asegúrese de que la herramienta eléctrica sea reparada antes de que se utilice. Muchos accidentes son ocasionados por herramientas eléctricas con mantenimiento deficiente.
- **Mantenga las herramientas de corte afiladas y limpias.** Las herramientas de corte correctamente mantenidas con bordes de corte afilados son menos propensas a atorarse y son más fáciles de controlar.
- **Utilice la herramienta eléctrica, los accesorios y las puntas, etc. de acuerdo con estas instrucciones, tomando en cuenta las condiciones de trabajo y el trabajo a realizar.** El uso de la herramienta eléctrica para operaciones diferentes a las previstas podría generar una situación peligrosa.
- **Mantenga las empuñaduras y ñas superficies de sujeción secas, limpias y libres de aceite y grasa.** Las empuñaduras y superficies de sujeción resbalosas no permiten el manejo y control seguros de la herramienta en situaciones inesperadas.

USO Y CUIDADO DE LAS HERRAMIENTAS CON BATERÍA

- **Recargue únicamente con el cargador especificado por el fabricante.** Un cargador que es adecuado para un tipo de batería puede crear un riesgo de incendio si se utiliza con otra batería.
- **Utilice las herramientas eléctricas únicamente con baterías específicamente diseñadas.** El uso de cualquier otra batería puede producir un riesgo de lesiones e incendio.
- **Cuando la batería no esté en uso, manténgala alejada de otros objetos metálicos como sujetapapeles, monedas, llaves, clavos, tornillos u otros objetos metálicos pequeños que puedan formar una conexión de una terminal a otra.** Crear un corto entre las terminales de la batería puede ocasionar quemaduras o un incendio.
- **Bajo condiciones de maltrato, el líquido puede ser expulsado de la batería, evite el contacto.** En caso de contacto accidental, lave con agua. Si el líquido entra en contacto con los ojos, busque además ayuda médica. El líquido expulsado de la batería puede causar irritación o quemaduras.
- **No use una batería o herramienta que se haya dañado o modificado.** Las baterías dañadas o modificadas pueden mostrar un comportamiento impredecible, causando incendios, explosión o riesgo de lesión.
- **No exponga una batería o herramienta al fuego o a temperatura excesiva.** La exposición a fuego o temperatura a más de 130°C (265°F) puede causar explosiones.
- **Siga todas las instrucciones de carga y no cargue la batería o la herramienta fuera del rango de temperatura especificado en las instrucciones.** La carga incorrecta o a temperaturas fuera del rango especificado puede dañar la batería y aumentar el riesgo de incendio.

MANTENIMIENTO

- Lleve su herramienta eléctrica a servicio con un técnico calificado que use únicamente piezas de reemplazo idénticas. Esto asegurará que la seguridad de la herramienta eléctrica se mantenga.
- Nunca dé servicio a baterías dañadas. Únicamente el fabricante o proveedores de servicio autorizados deben dar servicio a las baterías.

REGLAS DE SEGURIDAD ESPECÍFICAS PARA HERRAMIENTAS DE CORTE

- La guarda incluida con la herramienta debe colocarse firmemente en la herramienta eléctrica y posicionarse para máxima seguridad, de manera que la mínima cantidad de disco quede expuesta hacia el operador. Aléjese usted como los observadores del plano del disco giratorio. La protección ayuda a proteger al operador de fragmentos rotos de disco y de contacto accidental con el disco.
- Utilice únicamente discos de corte de unión reforzados o de diamante para su herramienta eléctrica. No es suficiente con que un accesorio pueda acoplarse a la herramienta para garantizar una operación segura.
- La velocidad nominal del accesorio debe ser al menos equivalente a la velocidad máxima marcada en la herramienta eléctrica. Los accesorios que operan a una velocidad mayor que su velocidad nominal pueden quebrarse y lanzar piezas al aire.
- Los discos deben utilizarse únicamente para las aplicaciones recomendadas. Por ejemplo: no rectifique con el costado del disco para corte. Los discos de corte abrasivo tienen por objeto utilizarse en rectificadío periférico. Si se aplican fuerzas laterales a estos discos, pueden ocasionar quebradura.
- Siempre utilice bridas de discos sin daños que sean del diámetro correcto para el disco seleccionado. Las bridas de disco correctas proveen soporte al disco, reduciendo así la posibilidad de quebradura del mismo.
- No utilice discos desgastados reforzados de herramientas eléctricas más grandes. Los discos diseñados para herramientas eléctricas más grandes no son adecuados para la mayor velocidad de una herramienta de menor tamaño y pueden explotar.
- El diámetro exterior y el grosor de su accesorio deben estar dentro de la clasificación de capacidad de su herramienta eléctrica. Los accesorios de tamaño incorrecto no pueden resguardarse o controlarse correctamente.
- El tamaño del eje de los discos y las bridas debe encajar correctamente en el husillo de la herramienta eléctrica. Los discos y bridas que tengan orificios de eje que no coincidan con la tornillería de montaje de la herramienta eléctrica se desbalancearán, vibrarán excesivamente y pueden ocasionar pérdida de control.
- No utilice discos dañados. Antes de utilizar, revise que los discos no estén rotos ni cuarteados. Si la herramienta eléctrica o el disco cae al suelo, revíselo para detectar daños o instale un accesorio sin daños. Después de revisar e instalar el disco, tanto usted como los espectadores deben colocarse alejados del plano del disco giratorio y hacer operar la herramienta eléctrica a la máxima velocidad sin carga durante un minuto. Los discos dañados normalmente se romperán durante este tiempo de prueba.

- Utilice equipo de protección personal. Dependiendo de la aplicación, utilice una careta, gafas o lentes de seguridad. Según corresponda, utilice mascarilla para polvo, protectores auditivos, guantes y mandil de taller capaz de detener pequeños fragmentos abrasivos o de la pieza de trabajo. La protección ocular debe ser capaz de detener residuos voladores generados por las distintas operaciones. La mascarilla para polvo o el respirador debe ser capaz de filtrar partículas generadas por su operación. La exposición prolongada al ruido de alta intensidad puede ocasionar pérdida auditiva.
- Mantenga a los espectadores a una distancia segura del área de trabajo. Toda persona que entre al área de trabajo debe utilizar equipo de protección personal. Los fragmentos de la pieza de trabajo o de un disco roto pueden salir volando y causar lesiones más allá del área inmediata de operación.
- Al realizar una operación donde el accesorio de corte pueda entrar en contacto con cableado oculto, sostenga la herramienta eléctrica únicamente de las superficies de empuñadura aisladas. El contacto del accesorio de corte con un cable que conduzca electricidad puede hacer que las partes metálicas de la herramienta se electricquen y podría ocasionar una descarga eléctrica al operador.
- Nunca coloque la herramienta eléctrica sobre una superficie hasta que el accesorio se haya detenido por completo. El disco giratorio puede agarrar la superficie y jalar la herramienta eléctrica, quitándole el control.
- No opere la herramienta eléctrica mientras la carga al lado de su cuerpo. El contacto accidental con el accesorio giratorio podría ocasionar que su ropa se enganche, jalando el accesorio hacia su cuerpo.
- Limpie periódicamente las rejillas de ventilación de la herramienta eléctrica. El ventilador del motor atraerá el polvo hacia el interior de la carcasa y la acumulación excesiva de metal en polvo puede causar riesgos eléctricos.
- No opere la herramienta eléctrica cerca de materiales inflamables. Las chispas podrían incendiar estos materiales.

Causas del contragolpe y advertencias relacionadas

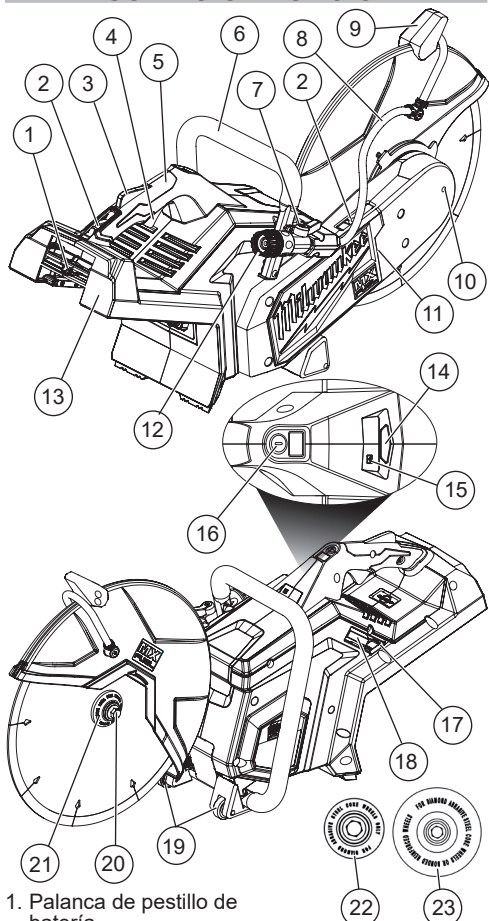
El contragolpe es una reacción repentina a un disco giratorio que se atora o engancha en el material. Los atorones o enganchamientos ocasionan el paro rápido del disco giratorio, lo que a su vez ocasiona que la herramienta eléctrica sin control sea forzada en dirección contraria a la rotación del disco en el punto de unión.

Por ejemplo, si un disco abrasivo se atora o engancha con la pieza de trabajo, el borde del disco que está entrando en el punto de agarre puede enterrarse en la superficie del material, ocasionando que el disco se salga o se bote. El disco puede saltar hacia el operador o en dirección contraria, dependiendo de la dirección del movimiento del disco en el momento del contacto. Los discos abrasivos también pueden quebrarse bajo estas condiciones.

El contragolpe es el resultado del uso incorrecto de la sierra, o de procedimientos o condiciones de operación incorrectos y puede evitarse tomando las precauciones correspondientes que se indican a continuación.

- **Mantenga un agarre firme de la herramienta eléctrica y posicione su cuerpo y su brazo para permitirle resistir las fuerzas del contragolpe. Siempre utilice una empuñadura auxiliar, si se proporciona, para máximo control sobre el contragolpe o la reacción de torque durante el arranque.** El operador puede controlar las acciones de torque o las fuerzas de contragolpe si se toman las precauciones correspondientes.
- **Nunca coloque la mano cerca del accesorio giratorio.** El accesorio puede golpearle la mano con el contragolpe.
- **No posicione el cuerpo en línea con el disco giratorio del mismo.** El contragolpe impulsará la herramienta en la dirección contraria al movimiento del disco en el punto de enganchamiento.
- **Ponga especial cuidado al trabajar en esquinas, bordes afilados, etc. Evite hacer rebotar y enganchar el accesorio.** Las esquinas, los bordes afilados o el rebote tienen una tendencia a ocasionar enganchamientos del accesorio giratorio y ocasionar pérdida de control o contragolpe.
- **No sujete una sierra eléctrica, hoja de sierra dentada, disco segmentado de diamante con un hueco periférico mayor a 10 mm o una hoja de sierra dentada.** Estas hojas generan contragolpes frecuentes y pérdida de control.
- **No "inserte a la fuerza" el disco ni aplique presión excesiva. No intente hacer una profundidad de corte excesiva.** Aplicar un exceso de presión al disco aumenta la carga y la susceptibilidad de que el disco se tuerza o se trabe en el corte y la posibilidad de contragolpe o ruptura del disco.
- **Cuando el disco se esté amarrando o cuando se interrumpa un corte por cualquier motivo, apague la herramienta eléctrica y sosténgala inmóvil hasta que el disco se detenga por completo. Nunca intente retirar el disco mientras aún esté en movimiento, pues puede ocurrir contragolpe.** Investigue y siga una acción correctiva para eliminar la causa del amarre del disco.
- **No reinicie la operación de corte dentro la pieza de trabajo. Deje que el disco alcance la velocidad total y cuidadosamente vuelva a introducirlo al corte.** El disco puede amarrarse, irse hacia arriba o generar contragolpe si la herramienta eléctrica se reinicia dentro de la pieza de trabajo.
- **Provea soporte para los paneles o cualquier pieza de trabajo de gran tamaño para minimizar el riesgo de pellizcamiento y contragolpe del disco.** Las piezas de trabajo grandes tienden a pandearse con su propio peso. Deben colocarse soportes debajo de la pieza de trabajo, cerca de la línea de corte y cerca del borde de la pieza de trabajo a ambos lados del disco.
- **Use precaución adicional al hacer un "corte de bolsillo" en muros existentes u otras áreas donde no haya visibilidad.** El disco saliente puede cortar líneas de gas o agua, cables eléctricos u otros objetos, lo que puede genera contragolpe.
- **Inspeccione los protectores y otras partes antes de cada uso o después de la rotura de la rueda. No use una herramienta dañada.** Coloque una etiqueta indicando "NO DEBE USARSE", hasta que sea reparada. Las guardas o cualquier otra parte dañada deberá ser adecuadamente reparada o reemplazada por un Centro de Servicio MILWAUKEE.
- **No se use sin el protector de banda.**
- **Utilice únicamente un disco sencillo.** El uso de múltiples discos puede desgastar de manera desigual, causando un contragolpe y podría romperse con las piezas volando, provocando lesiones personales.
- **Riesgo de quemadura química. Mantenga la batería de la celda de monedas lejos de los niños.**
- **⚠ADVERTENCIA** Para reducir el riesgo de lesiones en aplicaciones que producen una cantidad considerable de polvo, use una solución de extracción de polvo que cumpla con OSHA de acuerdo con las instrucciones de operación de la solución.
- **Válgase siempre de su sentido común y sea cuidadoso cuando utilice herramientas.** No es posible anticipar todas las situaciones que podrían tener un desenlace peligroso. No utilice esta herramienta si no entiende estas instrucciones de uso o si considera que el trabajo a realizar supera sus capacidades, comuníquese con Milwaukee Tool o con un profesional capacitado para recibir capacitación o información adicional.
- **Conserve las etiquetas y las placas nominales.** Contienen información importante. Si son ilegibles o no están presentes, comuníquese con un centro de servicio MILWAUKEE para obtener un reemplazo gratuito.
- **⚠ADVERTENCIA** Algunos polvos generados por el lijado eléctrico, aserrado, pulido, taladrado y otras actividades de construcción contienen químicos identificados como causantes de cáncer, defectos congénitos u otros daños reproductivos. Algunos ejemplos de estos químicos son:
 - plomo de pintura basada en plomo
 - dióxido de silicio de los ladrillos y el cemento y otros productos de albañilería y
 - arsénico y cromo de madera con tratamiento químico.
 Su riesgo por estas exposiciones varía, dependiendo de la frecuencia con que realice este tipo de trabajo. Para reducir su exposición a estos químicos: trabaje en un área bien ventilada y trabaje con equipo de seguridad aprobado, como mascarillas protectoras contra polvo especialmente diseñadas para filtrar partículas microscópicas.

DESCRIPCIÓN FUNCIONAL



- | | |
|--|--------------------------------------|
| 1. Palanca de pestillo de batería | 13. Puerto de conexión a carrito* |
| 2. Pasador de correa de transporte | 14. Luz LED Eco-Coach |
| 3. Palanca de bloqueo | 15. Indicador ONE-KEY™ |
| 4. Gatillo | 16. Botón de armado |
| 5. Empuñadura | 17. Llave hexagonal |
| 6. Empuñadura delantera | 18. Llave de tubo con destornillador |
| 7. Válvula de suministro de agua | 19. Ruedas giratorias |
| 8. Tubo de suministro de agua | 20. Perno del husillo |
| 9. Mango del protector del disco | 21. Brida de disco |
| 10. Orificio de acceso al seguro del husillo | 22. Brida externa de 53 mm (2") |
| 11. Protector de correa | 23. Brida externa de 105 mm (4") |
| 12. Conector de conexión rápida | |

*El puerto de conexión permite que la máquina funcione en combinación con el 3105 carrito de sierra de corte de MILWAUKEE. Mantenga cerrado el puerto de conexión a carrito cuando no se esté usando, esto para preservar la protección contra polvo y humedad. Consulte las instrucciones del carrito para más información.

ESPECIFICACIONES

Cat. No.....MXF315
 Tipo de batería MX FUEL™
 Tipo de cargador MX FUEL™
 RPM..... 5 370
 Tipo de disco Diamante o abrasivo
 Tamaño mínimo del disco 5 370 RPM
 Tamaño máximo del disco 355 mm (14")
 Grosor máximo del disco 3 mm (1/8")
 Tamaño del agujero del eje del disco* .. 20 mm o 1"
 Máxima profundidad de corte 127 mm (5")
 Entrada de suministro de agua 60 psi (max)
 Módulo/ID de FCC BGM11S/QOQ11
 Temperatura ambiente recomendada para operar -18°C a 50°C (0°F a 125°F)

*La herramienta viene provista de un adaptador de eje (20 mm o 1"). Para asegurarse de que el disco está fijado correctamente, siempre utilice el tamaño del adaptador del eje que coincida con el tamaño del agujero del eje del disco.

SIMBOLOGÍA



Volts



Corriente continua

n XXXX min⁻¹ Revoluciones por minuto (RPM)



⚠ ADVERTENCIA

Riesgo de choque eléctrico



Mantenga las extremidades del cuerpo lejos de las piezas móviles.



Empareje la dirección de la flecha en el disco con la de la flecha en la máquina.



La herramienta viene equipada con la tecnología RAPIDSTOP™.



Lea el manual del operador



Siempre utilice protección para los ojos. Utilice la protección auditiva y respiratoria correcta.



UL Listing Mark para Canadá y Estados Unidos

ENSAMBLAJE

⚠ ADVERTENCIA Recargue la batería sólo con el cargador especificado para ella. Para instrucciones específicas sobre cómo cargar, lea el manual del operador suministrado con su cargador y la batería.

Retiro/inserción de la batería

Para **retirar** la batería, presione el seguro del broche para moverlo hacia un lado y apriete la palanca del broche. Jale la batería para sacarla de la herramienta.

⚠ ADVERTENCIA Siempre retire la batería cada vez que la herramienta no esté en uso.

Para **introducir** la batería, deslícela en el cuerpo de la herramienta. Asegúrese de que quede bien firme en su posición.

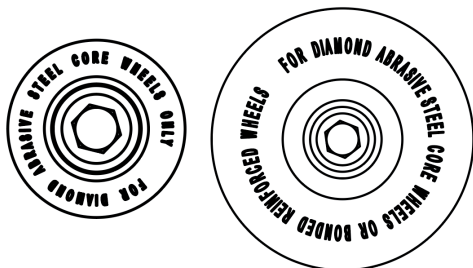
⚠ ADVERTENCIA Utilice únicamente accesorios específicamente recomendados para esta herramienta. El uso de accesorios no recomendados podría resultar peligroso.

Selección del disco y la brida externa

⚠ ADVERTENCIA Para reducir el riesgo de lesiones, use un disco de corte con una velocidad operativa segura máxima nominal de al menos 5,370 RPM. LEA LA INFORMACIÓN DE SEGURIDAD QUE VIENE CON EL DISCO DE CORTE. Siempre use el equipamiento de seguridad correcto, incluida una mascarilla contra polvo.

Use únicamente el disco adecuado que va con esta herramienta. NO USE NINGÚN TIPO DE HOJA DE SIERRA. USE ÚNICAMENTE DISCOS ABRASIVOS Y DE DIAMANTE TIPO "1".

La brida externa adecuada debe coincidir con el tipo de disco, esto con el fin de reducir el riesgo de lesiones físicas.



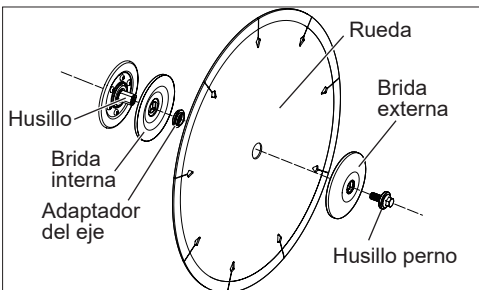
La brida pequeña (53 mm o 2") ÚNICAMENTE puede usarse con los discos de diamante.

La brida ancha (105 mm o 4") puede usarse tanto con los discos abrasivos como con los discos de diamante.

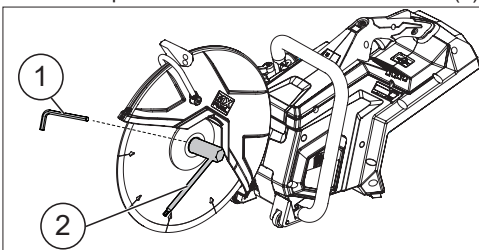
Instalación y retiro de los discos de corte

⚠ ADVERTENCIA Las ruedas están afiladas. Use guantes de trabajo cuando manipule las ruedas.

1. **⚠ ADVERTENCIA!** Retire la batería para evitar arrancar la herramienta.
2. Coloque la herramienta sobre una superficie firme.
3. Mueva el protector del disco para tener un acceso más fácil al perno del husillo.
4. Deslice la brida interna, el adaptador del eje, el disco de corte y la brida externa por encima del husillo. Asegúrese de que el adaptador coincida con el tamaño del agujero del eje del disco (20 mm o 1").



5. Mientras coloca el seguro del husillo en su lugar con una llave hexagonal (1), instale y apriete firmemente el perno del husillo con la llave de tubo (2).



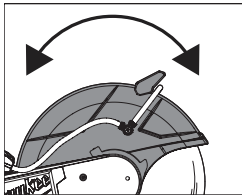
6. Para **retirar** los discos de corte, sostenga el seguro del husillo en su lugar y afloje el perno del husillo con la llave de tubo. Retire el perno del husillo, la brida externa, el adaptador del eje y el disco de corte.

Ajuste del Protector de Disco

⚠ ADVERTENCIA Para reducir el riesgo de lesiones al momento de realizar un corte, **SIEMPRE** ajuste el protector para contar con el mejor nivel de control y protección. Use guantes para que sus manos estén protegidas mientras ajusta el protector.

1. **⚠ ADVERTENCIA!** Retire la batería para evitar arrancar la herramienta.

2. Sostenga la empuñadura del protector del disco y gírelo hacia adelante o hacia atrás (rango de 45°). Siempre ponga el protector en el lugar que ofrezca el mejor nivel de control y protección.



ONE-KEY™

Para obtener más información acerca de la funcionalidad de ONE-KEY™ para esta herramienta, visite milwaukeeetool.com/One-Key. Para descargar la aplicación ONE-KEY™, visite la App Store® o Google Play™ desde su dispositivo inteligente.

Indicador ONE-KEY™	
Azul fijo	El modo inalámbrico está activo y listo para configurar a través de la aplicación ONE-KEY™.
Azul intermitente	La herramienta tiene una comunicación activa con la aplicación ONE-KEY™.
Rojo intermitente	La herramienta tiene activo el bloqueo de seguridad y sólo podrá desbloquearla el dueño a través de la aplicación ONE-KEY™.

OPERACION

⚠ ADVERTENCIA Con el fin de minimizar el riesgo de lesiones, siempre utilice la protección de ojos adecuada indicada para cumplir con lo dispuesto en la norma ANSI Z87.1.

Al momento de realizar trabajos en situaciones donde haya presencia de polvo, utilice la protección respiratoria adecuada o utilice una solución de extracción de polvo que cumpla con los requisitos de la OSHA.

Conexión del agua

Una conexión de agua está disponible en la máquina para emplearse con todos los tipos de suministro de agua. Corte con agua cada vez que sea posible; el agua enfría el disco (lo que aumenta su vida útil) y reduce la formación de polvo. Siga todas las instrucciones y advertencias que incluye el fabricante del disco sobre los cortes con agua. Debido a la presencia de la válvula de agua electrónica, el agua únicamente fluirá cuando la válvula esté en la posición de "ENCENDIDO" y se oprima el gatillo.

Armado de la herramienta

Las herramientas MX FUEL™ deben armarse antes de su uso. Incluso con la batería insertada, el gatillo y las funciones de la herramienta no operarán hasta que se arme la herramienta.

Para armar la herramienta:

1. Inserte la batería.
2. Pulse el botón Brazo. El icono MX FUEL™ se encenderá. El gatillo se armará en 2 segundos.
3. Después de 10 minutos de inactividad, la herramienta entrará en modo de suspensión. El icono de MX FUEL™ se apagará y el gatillo y las luces LED ya no podrán operarse.
4. Oprima y sostenga el botón de armado por un segundo para reactivar la herramienta.
5. Oprima y sostenga el botón de armado por un segundo para desarmar (apagar) la herramienta. El icono de MX FUEL™ se apagará.

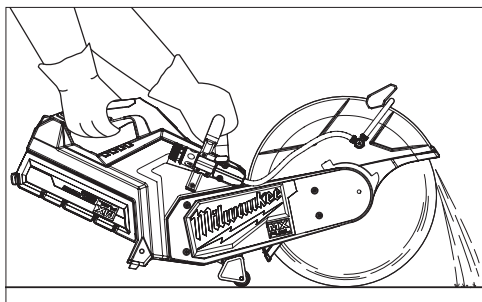
Luz LED ECO-Coach

Siempre preste atención a la luz LED ECO-Coach durante la operación, esto para disfrutar de un funcionamiento óptimo.

Problema	Causa	Solución
Apagada	La herramienta está desarmada	Arme la herramienta
	Ninguna aplicación; no se detectó ninguna carga	Funcionamiento normal
	La herramienta está funcionando por debajo de la carga óptima	Aplique más presión en la herramienta durante la aplicación para aumentar la carga.
Se enciende en verde fijo	La herramienta está funcionando con la carga óptima	Funcionamiento normal
Se enciende en rojo fijo	La herramienta está funcionando por encima de la carga óptima; riesgo de bre calentamiento de las piezas electrónicas. La herramienta se apagará después de 5 segundos en este estado.	Reduzca inmediatamente la presión en el disco
Se enciende, parpadea 10 veces y luego, se apaga	Indicador de bre calentamiento, la herramienta no se encenderá sino hasta que se haya enfriado	Deje que se enfríe la herramienta
Se enciende, parpadea cuando está inactiva	Indicador de bre calentamiento, la herramienta no se encenderá sino hasta que se haya enfriado	Deje que se enfríe la herramienta
	Batería baja	Cambie la batería

Realización de un corte

1. Ponga la batería.
2. Arme la máquina.
3. Apriete la palanca de bloqueo y jale el gatillo. Deje que la máquina llegue a su máxima velocidad y, después, baje lentamente el disco hacia la pieza de trabajo.
NOTA: Siempre empiece el corte empujando suavemente el disco a través de la pieza de trabajo. No golpee ni sacuda un disco al empezar un corte o durante el mismo. Siempre empuje la máquina lejos de donde está usted.
4. Sosténgala con firmeza mientras realiza el corte. No fuerce la máquina de corte para que entre en la pieza de trabajo. Forzar una máquina de corte puede causar un contragolpe.



5. Siempre preste atención a la luz LED ECO-Coach mientras realiza un corte.
6. Cuando haya terminado el corte, siempre deje que el disco se detenga por completo. Nunca quite la máquina de corte de un corte mientras el disco está en movimiento.
7. Si va a realizar un corte parcial, iniciar un corte o corregir la dirección de corte, espere hasta que el disco se haya detenido por completo para hacerlo. Para continuar con el corte, centre el disco en la separación (ranura), retroceda el disco del borde de corte unos cuantos centímetros, jale el gatillo y vuelva a entrar lentamente en el corte.
NOTA: Si la herramienta de corte se atasca, mantenga un agarre firme y suelte inmediatamente el gatillo. Corrija el problema antes de continuar.

MANTENIMIENTO

⚠ ADVERTENCIA Para reducir el riesgo de una lesión, desconecte siempre la máquina antes de darle cualquier mantenimiento. Nunca desarme la batería, el cargador o la máquina, salvo que así lo indiquen estas instrucciones. Comuníquese con un centro de servicio de MILWAUKEE para todas las demás reparaciones.

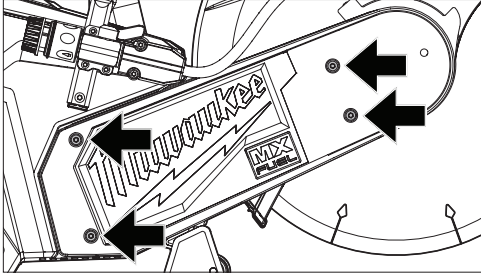
Mantenimiento de las herramientas

Adopte un programa regular de mantenimiento y mantenga su herramienta en buenas condiciones. Inspeccione la herramienta para problemas como ruidos indebidos, desalineadas o agarradas de partes móviles, piezas rotas o cualquier otra condición que pueda afectar el funcionamiento de la herramienta. Envíe su herramienta al Centro de Servicio MILWAUKEE para reparación. Después de 6 meses a un año, dependiendo del uso dado, envíe su herramienta al Centro de Servicio MILWAUKEE más cercano para la inspección. Si la herramienta no arranca u opera a toda su potencia con una batería completamente cargada, limpie, con una goma o borrador, los contactos de la batería y de la herramienta. Si aun así la herramienta no trabaja correctamente, regrésela, con el cargador y la batería, a un centro de servicio MILWAUKEE.

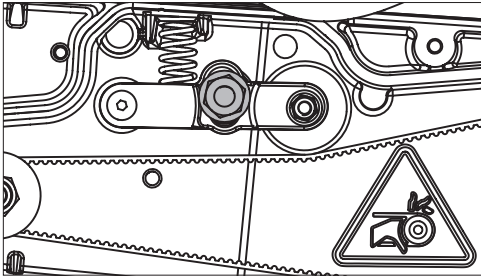
Retensado de la correa

Será necesario volver a tensar la correa cada 3 meses o cuando se observe una reducción en su funcionamiento.

1. ¡**ADVERTENCIA!** Quite la batería para evitar que se encienda la máquina.



2. Para volver a tensar la correa, use una punta T25 para aflojar los cuatro tornillos que fijan el protector de correa.
3. Quite el protector de correa.
4. Revise la correa y cámbiela si presenta signos de desgaste o deterioro.
5. Afloje la tuerca del tensor con una llave de tuercas de 13 mm.



6. Ya que la haya aflojado, el resorte tensor se expandirá para posicionar el tensor contra la correa. No ajuste el tensor con la mano, ya que se ajustará automáticamente cuando se afloje.
7. Apriete la tuerca del tensor con la mano para fijar el tensor en su lugar.
8. Revise la tensión de la correa para asegurarse de que no ocurra ninguna desviación durante el proceso de tensión.
9. Instale el protector de la correa.

ONE-KEY™

⚠ADVERTENCIA Riesgo de quemadura química.



Este dispositivo contiene una batería de botón/tipo moneda de litio. Una batería nueva o usada puede causar quemaduras internas graves y causar la muerte tan solo en 2 horas si se ingiere o entra al cuerpo. Siempre asegure la cubierta de la batería. Si no se cierra con firmeza, deje de usar el dispositivo, retire las baterías y manténgala alejada de los niños. Si cree que las baterías pudieron ser ingeridas o entraron al cuerpo, busque atención médica de inmediato.

Batería interna tipo moneda

Se usa una batería interna tipo moneda para facilitar la funcionalidad completa de ONE-KEY™.

Para cambiar la batería tipo moneda:

1. ¡**ADVERTENCIA!** Retire la batería de la herramienta para evitar arrancar la herramienta.
2. Retire los tornillos y abra la puerta del compartimiento de la batería tipo moneda.
3. Retire la batería tipo moneda anterior, manténgala fuera del alcance de los niños y deshágase de ella de la manera correcta.
4. Inserte la nueva batería tipo moneda (3V CR2032), con el lado positivo hacia arriba.
5. Cierre la tapa de la batería y apriete el tornillo(s) con firmeza.

⚠ADVERTENCIA Para reducir el riesgo de lesiones, descarga eléctrica o daño a la herramienta, nunca la sumerja en líquidos ni permita que estos fluyan dentro de la misma.

Limpeza

Limpe el polvo y suciedad de las cualquier ventilas. Mantenga los máquina, limpios, secos y libres de aceite o grasa. Use solo jabón neutro y un trapo húmedo para limpiar, ya que algunos sustancias y solventes limpiadores son dañinos a los plásticos y partes aislantes. Algunos de estos incluyen: gasolina, turpentina, thíner, lacas, thíner para pinturas, solventes para limpieza con cloro, amoníaco y detergentes caseros que tengan amonía. Nunca usá solventes inflamables o combustibles cerca de una herramienta.

Limpeza de la batería y el compartimiento

Mantenga las conexiones y superficies de la batería que están entre esta y la herramienta libres de residuos y materiales.

No tener limpias las superficies podrá causar una desalineación o daños en la conexión de la batería.

Reparaciones

Para reparaciones, devuelva la máquina al centro de servicio autorizado más cercano.

ACCESORIOS

⚠ADVERTENCIA Utilice sólo los accesorios específicamente recomendados. Otros accesorios puede ser peligroso.

Para una lista completa de accesorios, visite nuestro sitio en Internet: www.milwaukeeool.com o póngase en contacto con un distribuidor.

COMUNICACIÓN INALÁMBRICA

Para productos que cuentan con funciones de comunicación inalámbrica, incluida ONE-KEY™. De conformidad con la parte 15.21 del Reglamento de FCC, no modifique este producto. La modificación podría ocasionar que se anule su autorización para operar el producto. Este dispositivo cumple con lo dispuesto en la parte 15 del Reglamento de la FCC así como las normas RSS de exención de licencia de ISED-Canada. La operación está sujeta a las siguientes dos condiciones: 1) Este dispositivo no debe ocasionar interferencia nociva y 2) este dispositivo debe aceptar cualquier interferencia que se reciba, incluyendo la interferencia que pueda ocasionar operación no deseada.

SOPORTE DE SERVICIO - MEXICO

CENTRO DE ATENCIÓN A CLIENTES

Techtronix Industries Mexico, S.A. de C.V.

Av. Presidente Masarik 29 Piso 7

11560 Polanco V Seccion

Miguel Hidalgo, Distrito Federal, México

01 (800) 030-7777 o (55) 4160-3540

Lunes a Viernes (9am a 6pm)

O contáctanos en www.milwaukeetool.com.mx

GARANTÍA LIMITADA - E.U.A. Y CANADÁ

Todo producto, batería y cargador MX FUEL™ MILWAUKEE están garantizados ante el comprador original por un distribuidor autorizado MILWAUKEE únicamente de que no tenga material y mano de obra defectuosos. Con algunas excepciones, MILWAUKEE reparará o cambiará un producto, batería o cargador MX FUEL™ que tenga material o mano de obra defectuosos, según lo determine MILWAUKEE mediante una revisión, por un periodo de dos (2) años después de la fecha de compra. Devuelva el producto, la batería o el cargador MX FUEL™ a un centro de servicio de fábrica MILWAUKEE o a una estación de servicio autorizada MILWAUKEE, con flete prepagado y asegurado. Para fines de un envío correcto de baterías, llame al 1.800.SAWDUST (1.800.729.3878) o visite www.milwaukeetool.com. Se debe incluir una copia del comprobante de compra con el producto devuelto. Esta garantía no aplica a daños que MILWAUKEE determine que son ocasionados por reparaciones o intentos de reparaciones realizados por una persona que no sea personal autorizado de MILWAUKEE, uso indebido, alteraciones, maltrato, desgaste normal, falta de mantenimiento o accidentes.

Desgaste normal: Muchos productos MX FUEL™ necesitan cambios de piezas y mantenimiento periódicos para alcanzar su máximo rendimiento. Esta garantía no cubre reparaciones cuando el uso normal haya agotado la vida útil de una pieza que incluye, entre otras, las bandas de accionamiento y de asistencia, las poleas, las bridas de disco, las juntas de vacío, las empuñaduras sin herramientas, los broches de guía, los patines, los acopladores de accionamiento, las zapatas de hule, la alimentación automática, los bloques estabilizadores, las ruedas, las ruedas de transportación, los cables, los juntas tóricas, los sellos, los protectores, las hojas de accionamiento, los pistones, los percutores, los levantadores, los portaherramientas y las arandelas de cubierta de los protectores.

No es necesario realizar el registro de la garantía para recibir la garantía correspondiente a un producto, batería o cargador MX FUEL™. LA ACEPTACIÓN DE LOS RESARCIMIENTOS EXCLUSIVOS DE REPARACIÓN Y SUSTITUCIÓN AQUÍ DESCRITOS ES UNA CONDICIÓN DEL CONTRATO EN CUANTO A LA COMPRA DE TODO PRODUCTO DE MILWAUKEE. SI USTED NO ACEPTA ESTA CONDICIÓN, NO DEBE COMPRAR EL PRODUCTO. MILWAUKEE NO SERÁ RESPONSABLE EN NINGÚN CASO DE DAÑOS INCIDENTALES, ESPECIALES, EMERGENTES O PUNITIVOS NI DE NINGÚN COSTO, HONORARIOS DE ABOGADOS, GASTOS, PÉRDIDAS O DEMORAS QUE SUPUESTAMENTE SEAN CONSECUENCIA DE

ALGÚN DAÑO, FALLA O DEFECTO DE ALGUNO DE LOS PRODUCTOS, INCLUYENDO, ENTRE OTROS, RECLAMACIONES POR PÉRDIDA DE UTILIDADES. ALGUNOS ESTADOS NO PERMITEN LA EXCLUSIÓN O LIMITACIÓN DE RESPONSABILIDAD POR DAÑOS INCIDENTALES O EMERGENTES, POR LO QUE LA ANTERIOR LIMITACIÓN O EXCLUSIÓN PODRÍA NO APLICARSE EN SU CASO. ESTA GARANTÍA ES EXCLUSIVA Y SUSTITUYE TODAS LAS DEMÁS GARANTÍAS EXPRESAS, SEAN ESTAS ESCRITAS U ORALES. HASTA DONDE PERMITA LA LEY, MILWAUKEE DESCONOCE CUALQUIER GARANTÍA IMPLÍCITA, INCLUYENDO, SIN LIMITACIÓN, CUALQUIER GARANTÍA IMPLÍCITA DE COMERCIABILIDAD O IDONEIDAD PARA UN FIN O USO ESPECÍFICO; HASTA EN QUE DICHO DESCONOCIMIENTO NO SEA PERMITIDO POR LA LEY, DICHAS GARANTÍAS IMPLÍCITAS SE LIMITAN A LA DURACIÓN DE LA GARANTÍA EXPRESA CORRESPONDIENTE SEGÚN LO ARRIBA DESCRITO. ALGUNOS ESTADOS NO PERMITEN LIMITACIONES EN LA VIGENCIA DE UNA GARANTÍA IMPLÍCITA, POR LO QUE LA ANTERIOR LIMITACIÓN PODRÍA NO APLICAR A USTED. ESTA GARANTÍA LE CONFIERE DERECHOS JURÍDICOS ESPECÍFICOS Y USTED PODRÍA, ADEMÁS, TENER OTROS DERECHOS QUE VARIAN SEGÚN EL ESTADO.

Esta garantía aplica únicamente a los productos vendidos en EE. UU. y Canadá.

Consulte la pestaña "Búsqueda de centros de servicio" en la sección "Piezas y servicio" del sitio web de MILWAUKEE en www.milwaukeetool.com o llame al 1.800.SAWDUST (1.800.729.3878) para localizar su centro de servicio más cercano para darle servicio, con o sin garantía, a un cargador, a una batería o a un producto MX FUEL™.

PÓLIZA DE GARANTÍA - VALIDA SOLO PARA MEXICO, AMÉRICA CENTRAL Y EL CARIBE

La garantía de TECHTRONIX INDUSTRIES es por 2 años a partir de la fecha original de compra.

Esta tarjeta de garantía cubre cualquier defecto de material y mano de obra en ese Producto.

Para hacer válida esta garantía, presente esta tarjeta de garantía, cerrada/sellada por el distribuidor o la tienda donde compró el producto, al Centro de Servicio Autorizado (ASC). O, si esta tarjeta no se ha cerrado/sellado, presente la prueba original de compra a ASC. Llame 55 4160-3547 para encontrar el ASC más cercano, para servicio, partes, accesorios o componentes.

Procedimiento para hacer válida esta garantía

Lleve el producto a ASC, junto con la tarjeta de garantía cerrada/sellada por el distribuidor o la tienda donde compró el producto, y cualquier pieza o componente defectuoso se reemplazará sin costo para usted. Cubriremos todos los costos de flete con relación a este proceso de garantía.

Excepciones

Esta garantía no tendrá validez en las siguientes situaciones:

- Cuando el producto se use de manera distinta a la que indica el manual del usuario final o de instrucciones.
- Cuando las condiciones de uso no sean normales.
- Cuando otras personas no autorizadas por TECHTRONIX INDUSTRIES modifiquen o reparen el producto.

Nota: si el juego de cables está dañado, tiene que reemplazarse en un Centro de Servicio Autorizado para evitar riesgos eléctricos.

CENTRO DE SERVICIO Y ATENCIÓN

Llame al 55 4160-3547

IMPORTADO Y COMERCIALIZADO POR

TECHTRONIX INDUSTRIES, MÉXICO, S.A. DE C.V.

Miguel de Cervantes Saavedra No.301 Piso 5, Torre Norte

11520 Colonia Ampliación Granada

Miguel Hidalgo, Ciudad de México, México

Modelo: _____

Fecha de Compra: _____

Sello del Distribuidor: _____

MILWAUKEE TOOL
13135 West Lisbon Road
Brookfield, WI 53005 USA